

Partition Stalls

Installation Instructions for Phenolic Ultimate Privacy Partitions

 646-453-4564

 info@partitionstalls.com

 www.partitionstalls.com



INSTALLATION INSTRUCTIONS FOR
PHENOLIC ULTIMATE PRIVACY INSTALLATION

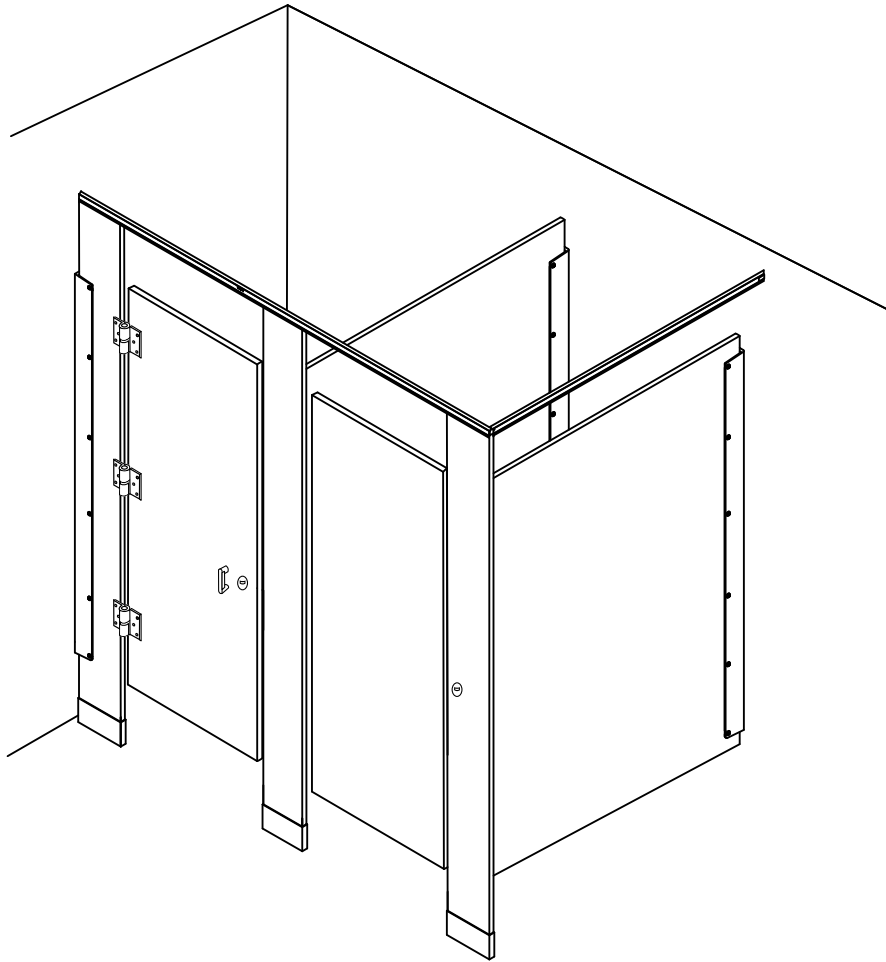


Table of Contents

<u>Floor Anchored/Overhead Braced</u>	<u>Page</u>
Layout, Wall Brackets & Panel Position	1
Pilaster Prep, Pilaster installation & Panel Position	2
Panel to Pilaster/Wall Assembly	3
Pilaster/Wall Assembly	4
Pilaster/Panel Alcove Assembly	5
Head-rail Assembly.....	6
Door Hardware In-swing Assembly	7
Door Hardware Out-swing Assembly	8
Latch Assembly.....	9
Hinge Assembly.....	10
Urinal Screen Assembly.....	11
 <u>Product Information</u>	
Care and Maintenance of Toilet Partitions	12

Required Tools

- Power Drill
- T-27 Pin Torx Driver
- Allen Wrench set
- 3/16” Masonry Drill Bit
- 1/4”, #11/64, and #5/32 Drill Bits
(and others as needed)
- Drill Bit Stop
- 4’ (or longer) Level
- 6”, 9”, or 12” support as required

Important

The components for this project have been custom fabricated. These components are guaranteed with respect to their manufacture and craftsmanship and were inspected at the factory.

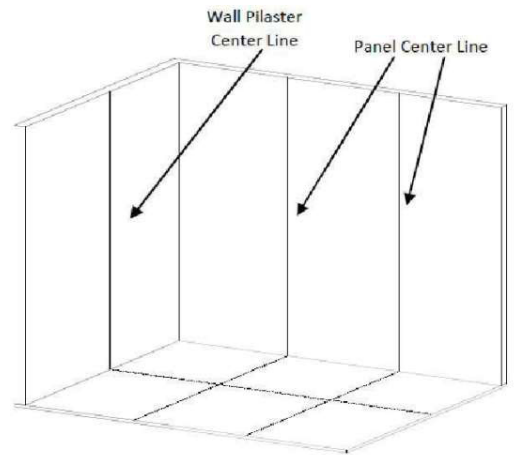
Before beginning work, units should be inspected. If damage occurred in transit, report immediately and the freight company or other agencies that may have caused the damage.

STEP 1
LAYOUT
FLOOR ANCHORED/OVERHEAD BRACED

NOTE: FLOOR MUST BE CONCRETE

- A. Review the layout drawings and package lists that have accompanied this job.
- B. Before proceeding, confirm that backing of walls and floor is adequate to support secure mounting of the toilet compartment units.
- C. Establish and mark pilaster center line from back wall.
- D. Establish and mark panel center lines for wall brackets.
- E. Establish pilaster floor fastener locations from side wall according to shop drawings.
- F. Mark wall bracket holes using brackets as template

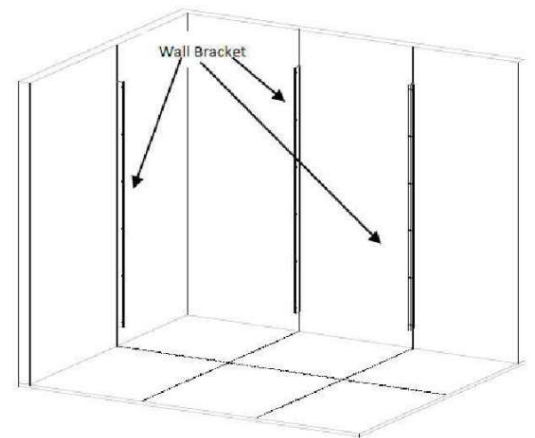
FIGURE 1



STEP 2
WALL BRACKETS AND FLOOR ANCHORS

- A. Drill holes for wall brackets and floor anchors of appropriate size for particular fastening devices supplied. Typically, 1/4" bit for walls, 1/4" bit for compartment thru-bolts, and 3/16" bit for floors. (Note: as site conditions and hardware combinations vary, and assortment of bit sizes is recommended).
- B. Insert anchoring devices in wall and secure wall brackets.
- C. Attach the shoes to the concrete floor using 1/4" concrete screws. (Note the hole in the side of the shoe should be placed on the inside of the compartment).
- D. Adjust the location of the shoes according to the door opening size, and secure shoes to the floor.

FIGURE 2



STEP 3
POSITION PANEL

- A. Place panel on the temporary support device.
- B. Set in to wall brackets, but do not fasten panel at this time.

FIGURE 3

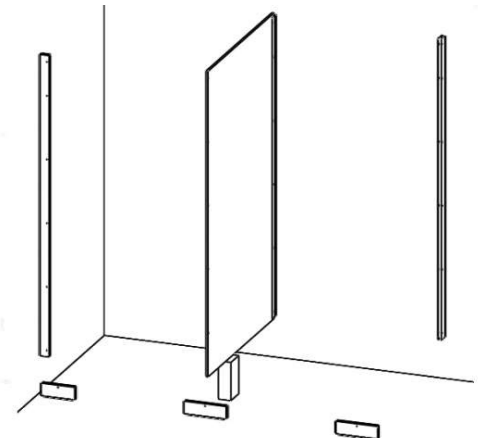
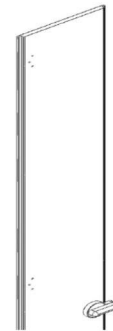


FIGURE 4

STEP 4
PILASTER PREPARATION

- A. Note: that each pilaster is labeled on its front and can be matched to the layout based on that label. Align the U-brackets in position on the rear of the pilasters. Refer to layout drawings and make sure U-brackets are in alignment with wall brackets.
- B. Mark U-bracket holes using the wall brackets as templates. Drill 11/64" diameter x 7/16" deep holes for U-bracket fasteners. (a drill bit are recommended). Correct hole diameter and depth is critical.
- C. Fasten U-brackets to pilaster.

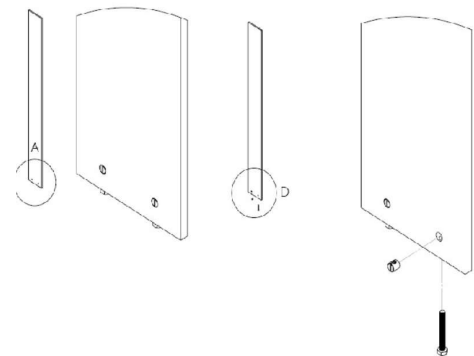


STEP 5
INSTALL PILASTERS

- A. Insert the dowel nut in the side/face of the pilaster where there is a pre-drilled hole.
- B. Insert the leveling bolts and thread in to the dowel nuts.
- C. Insert the pilaster in the shoe.
- D. level the top of all pilasters by adjusting the leveling bolt to the desired positions.

Note: To determine how far to insert the leveling bolt., Find the highest point on the floor, and fully insert the bolt on the pilaster that will be mounted in that location. Adjust all other leveling bolts accordingly.

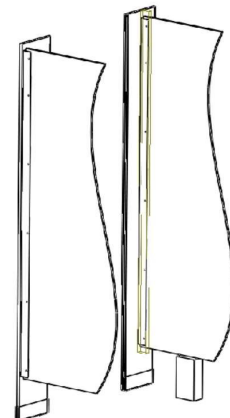
FIGURE 5



STEP 6
POSITION PANEL

- A. Level the panel and adjust the gaps at either end.
- B. Secure the panel to the wall and pilaster using through-bolts.
- C. Remove panel support device.
- D. Plumb each pilaster and secure with headrail (see page 6 for the headrail detail).
- E. Secure the pilaster to the shoe using shoe screws.

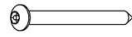





FIGURE 6

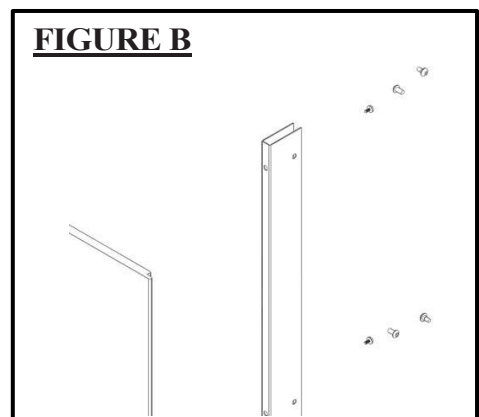
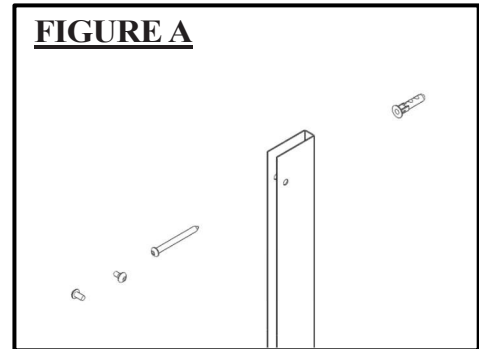
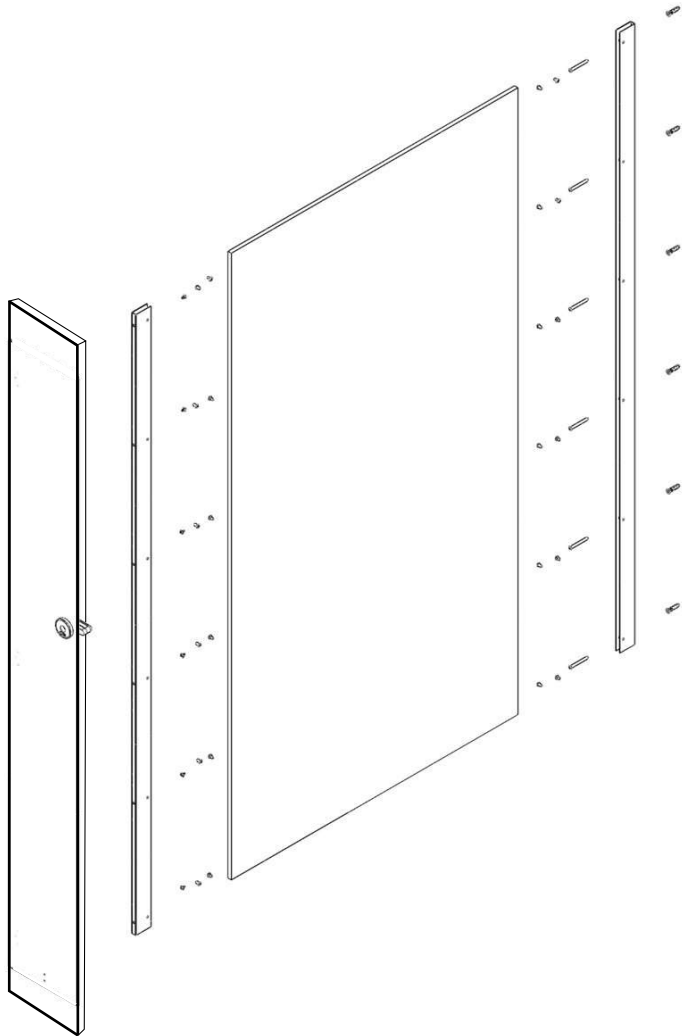


PANEL TO PILASTER/WALL

ASSEMBLY

- A. Plumb panel and fasten panel to wall bracket with through-bolts. To facilitate the through-bolts, the holes of the panel should be drilled with a 1/4" drill bit through the panel.
- B. Plumb pilaster then fasten the panel to the pilaster bracket using through-bolts and barrel nuts.

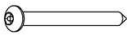
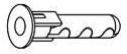



<u>HARDWARE LIST</u>		
PICTURE	DESCRIPTION	QTY
	#12 X 2 1/2" WALL SCREW	6
	RED PLASTIC SHIELD	6
	"U" BRACKET	2
	#10-24 X 3/8" NUT	12
	#10-24 X 1/2" BOLT	12
	#12 X 7/16" BRACKET SCREW	6

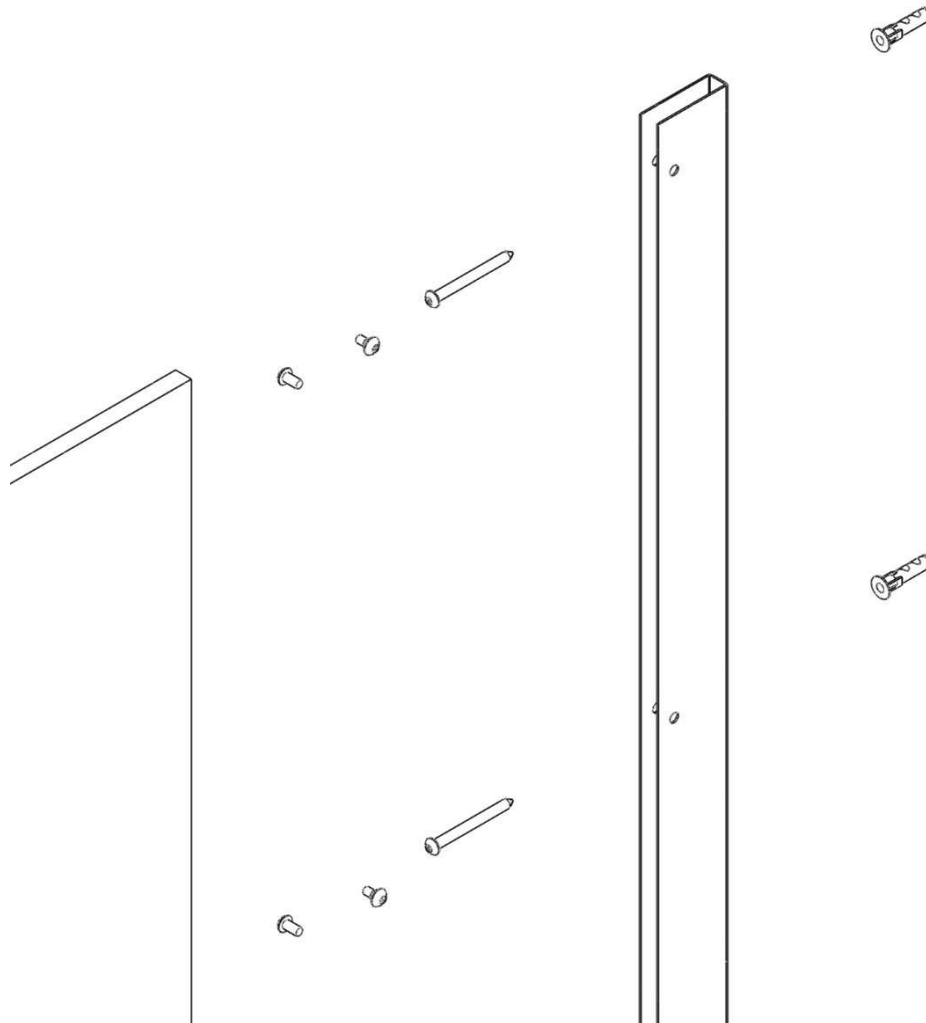


PILASTER/WALL

ASSEMBLY

- A. Plumb panel and fasten panel to wall bracket with through-bolts. To facilitate the through-bolts, the holes of the panel should be drilled with a 1/4" drill bit through the panel.
- B. Verify that the pilasters are both plumb and level before continuing.
- C. Fasten pilaster to wall bracket using through-bolts.



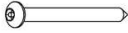


<u>HARDWARE LIST</u>		
PICTURE	DESCRIPTION	QTY
	#12 X 2 1/2" WALL SCREW	6
	RED PLASTIC SHIELD	6
	"U" BRACKET	1
	#10-24 X 3/8" NUT	6
	#10-24 X 1/2" BOLT	6

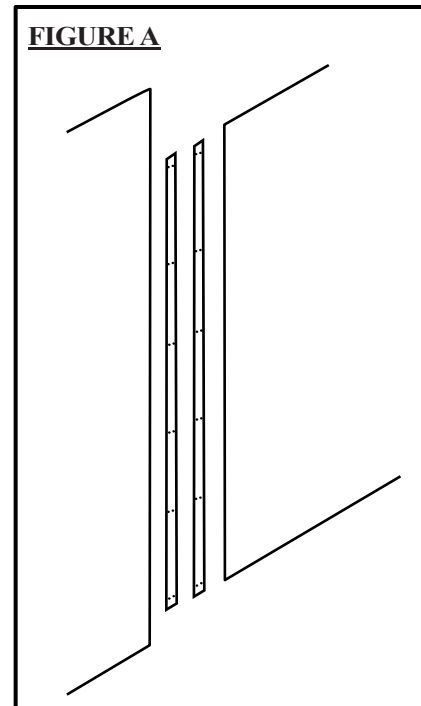
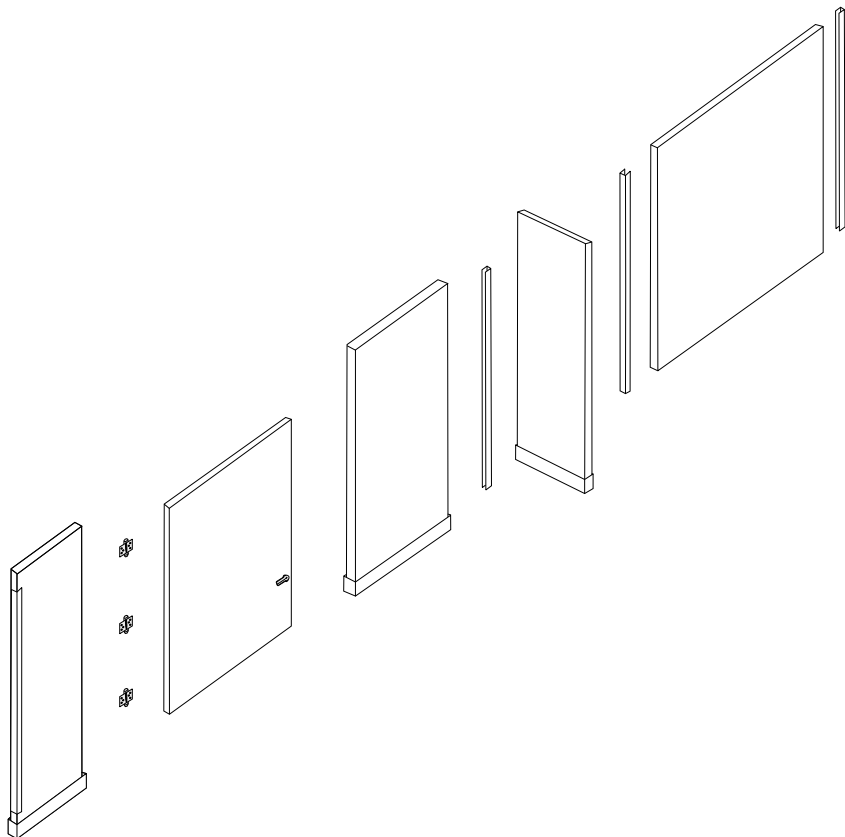


PILASTER/PANEL ALCOVE






ASSEMBLY

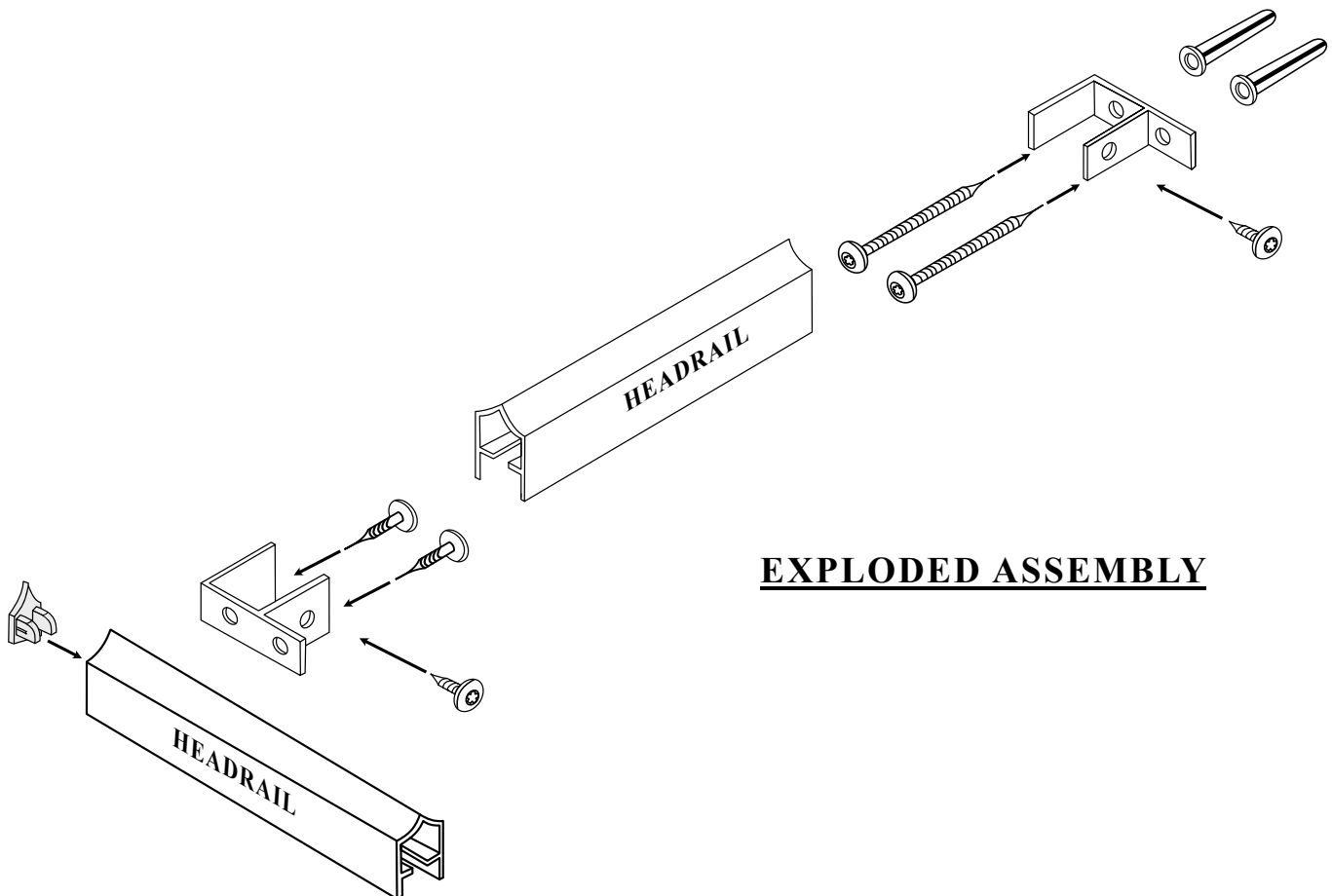
- A. For the perpendicular pilaster between two “U” brackets (the tee configuration), first use a through-bolt through the two “U” brackets to fasten the pilaster to the wall panel.
- B. If a standalone alcove is present, the tee configuration is replaced by two alcove brackets (Figure A).
- C. Note: For door details, see pages 7 and 8.

<u>HARDWARE LIST</u>		
PICTURE	DESCRIPTION	QTY
	#10-24 X 3/8” NUT	24
	#10-24 X 1/2” BOLT	24
	#12 X 2 1/2” WALL SCREW	12
	RED PLASTIC SHIELD	12
	“U” BRACKET	4



HEADRAIL ASSEMBLY

HEADRAIL HARDWARE KIT (P/N 8448100)		
PART ID	DESCRIPTION	QTY
	HEADRIAL SATIN "F" ZAMAC BRACKET	2
	HEADRAIL CAP SATIN ZAMC	1
	VANDAL RESISTANT 2 1/2" S.M.S	2
	PLASTIC SHIELD	2
	VANDAL RESISTANT 5/8" S.M.S	4



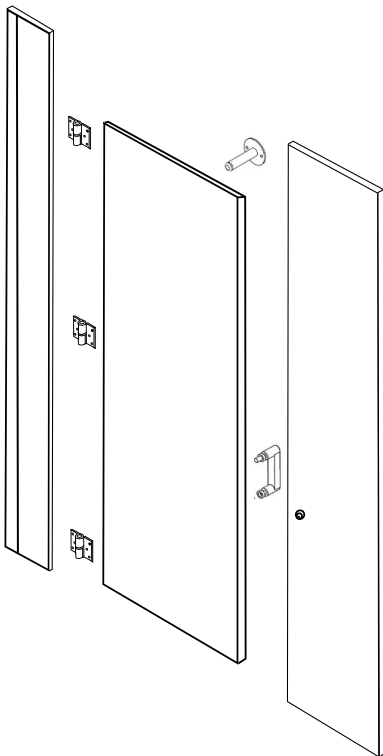
EXPLODED ASSEMBLY

DOOR HARDWARE

ASSEMBLY - INSWING

- A. Place door on temporary support device.
Attach hinges to the pilaster & door using the #10 screws as shown in the hardware list.
- B. Drill for the coat hook with a 11/64" drill bit to a depth of 1/2".
Correct hole diameter and depth is very critical for correct installment.
- C. There will be only one door pull provided per inswing door. Drill door pull with 3/16" drill bit to a depth of 1/2".

Note: Please see pages 11 and 12 for hinge and latch installation details, respectively.



HARDWARE LIST

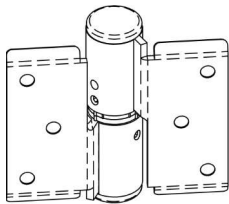



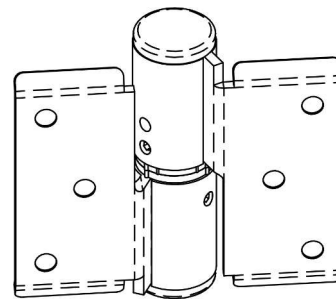
<u>PICTURE</u>	<u>DESCRIPTION</u>	<u>QTY</u>
	HINGE ASSEMBLY WITH COVER PLATE (0°) & (20°)	3
	#10 x 7/16" HINGE SCREWS	18
	COAT HOOK WITH TWO SCREWS	1
	DOOR PULL	1

FIGURE A

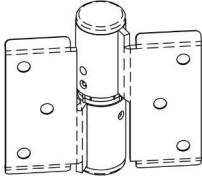


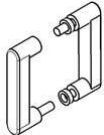



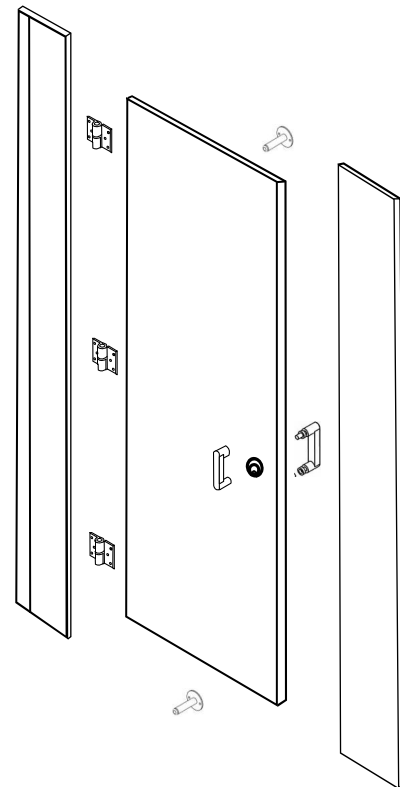
DOOR HARDWARE

ASSEMBLY - OUTSWING


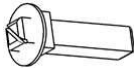




- A. All doors will require 3 hinges.
- B. Install additional door bumper on the outside of the door as required.
- C. All hinges are cammed.
- D. Holes will be predrilled for alignment.**
Note: If door is outswing or ADA compliant then there will be two door pulls.
- E. The holes for the coat hook should be drilled to a depth of 1/2" with a 11/64" drill bit.
Correct hole diameter and depth is very critical for correct installment.
- F. The holes for the door pulls should be drilled through the door with a 1/4" drill bit.

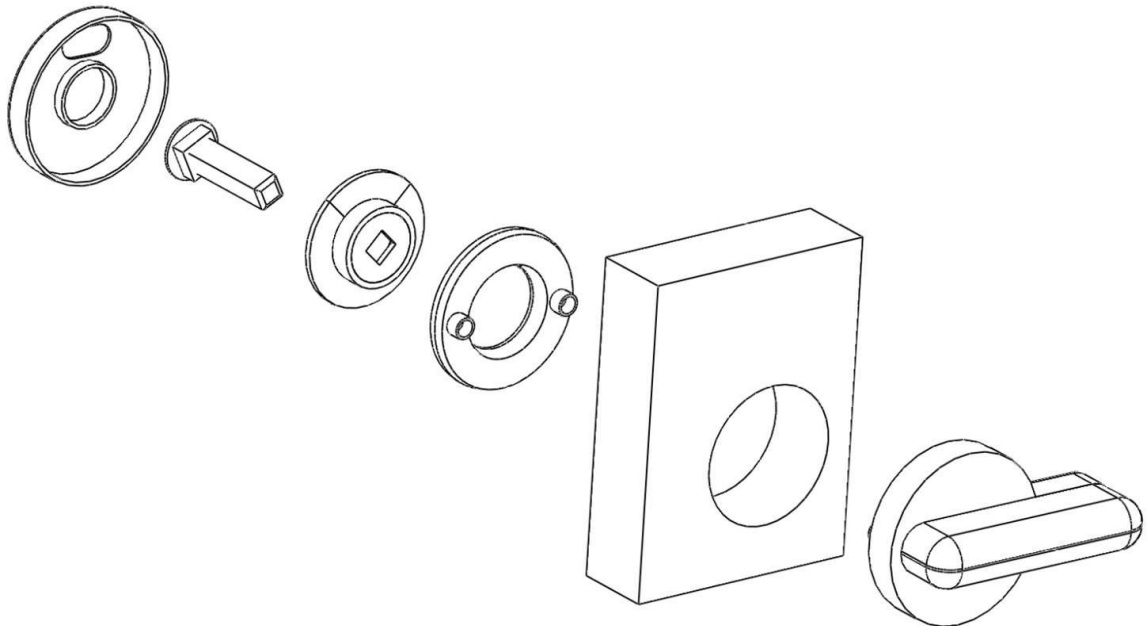
Note: please see pages 11 and 12 for hinge and latch installation details, respectively

<u>HARDWARE LIST</u>		
<u>PICTURE</u>	<u>DESCRIPTION</u>	<u>QTY</u>
	HINGE ASSEMBLY WITH COVERPLATE (0°) & (20°)	3
	#10 x 7/16" HINGE SCREWS	18
	COAT HOOK WITH TWO SCREWS	2
	DOOR HANDLES	2
	DOOR PULL BOLT	2



LATCH ASSEMBLY

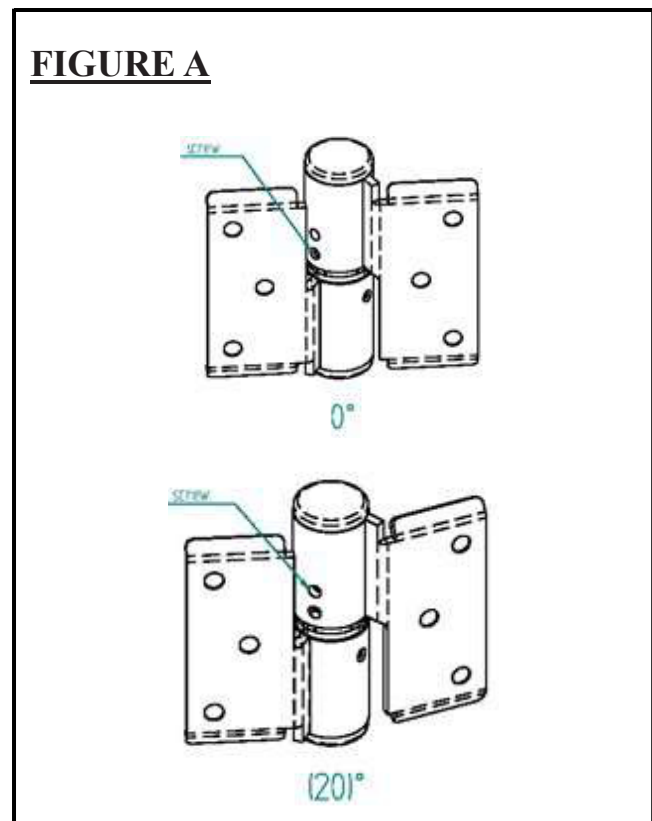
<u>HARDWARE LIST</u>		
PICTURE	DESCRIPTION	QTY
	INDICATOR COVER WITH INSERT	1
	CENTER SHAFT	1
	INDICATOR DIAL	1
	INDICATOR DIAL PLACEMENT SLEEVE	1
	LATCH HANDLE	1
	#10-24 X 1/2" BOLT	2



HINGE ASSEMBLY

- A. Cams are preset at an angle of 0°. ASI recommends using 0° angle because it also complies with Federal ADA codes and guidelines
- B. If changing the angle, use the Allen Wrench to detach the setscrew. Then rotate until hole line up with 20° as shown in the picture.
- C. Reinsert set screw in 20° hole.

<u>HARDWARE LIST</u>		
PICTURE	DESCRIPTION	QTY
	CAMMED HINGE	1
	SET SCREW	1
	#10 X 7/16" HINGE SCREWS	6
	COVER PLATE	1



URINAL SCREEN

ASSEMBLY

- A. Before proceeding, confirm that the backing of the wall is adequate to support the mounting of urinal screens. Check shop drawings for layout.
- B. Using bracket as a template. Mark and drill 1/4" holes.
- C. Insert plastic shields into the walls and secure wall brackets with 2 1/2" wall screws.
- D. Place urinal screen on a support device at desired height.
- E. Drill 1/4" holes through the urinal screen and fasten with through-bolts.

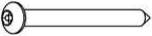

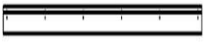


<u>HARDWARE LIST</u>		
PICTURE	DESCRIPTION	QTY
	#12 X 2 1/2" WALL SCREW	8
	RED PLASTIC SHIELD	8
	U/S 2 EARED BRACKET	1
	#10-24 X 3/8" NUT	4
	#10-24 X 3/8" NUT	4

FIGURE A

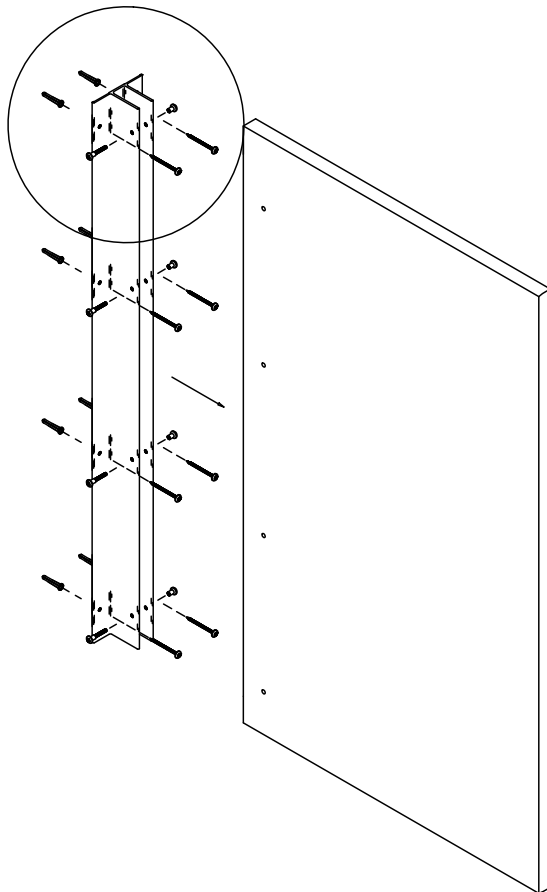
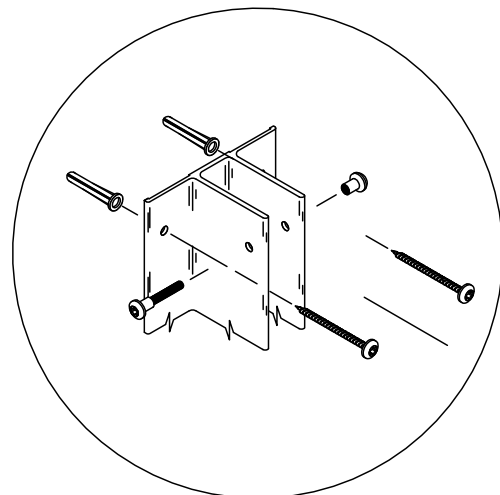


FIGURE A



Product Information

CARE AND MAINTENANCE OF BATHROOM PARTITIONS

In order to provide bathroom partitions with proper care and maintenance, the following instructions must be followed:

- A. All surfaces must be kept clean with water and a mild soap solution only.
- B. In areas of high humidity, the rooms must be properly ventilated.
- C. “Hosing down” or wet-washing of these units may cause water adsorption and damage.
- D. For maximum protection, periodic application of any standard furniture wax will be beneficial.

WARNING

Under no circumstances should these components be subjected to:

- Abrasive powders or pads
- Bathroom cleaners
- Ceramic tile cleaners
- Solutions containing more than 1% by volume of ammonia
- Solutions containing acids or lye
- Solutions containing enzymes

Attention to work progress during new construction or renovation is paramount. Some cleaning services may use agents for ceramics and tiles that will damage these components.