



Partition Stalls

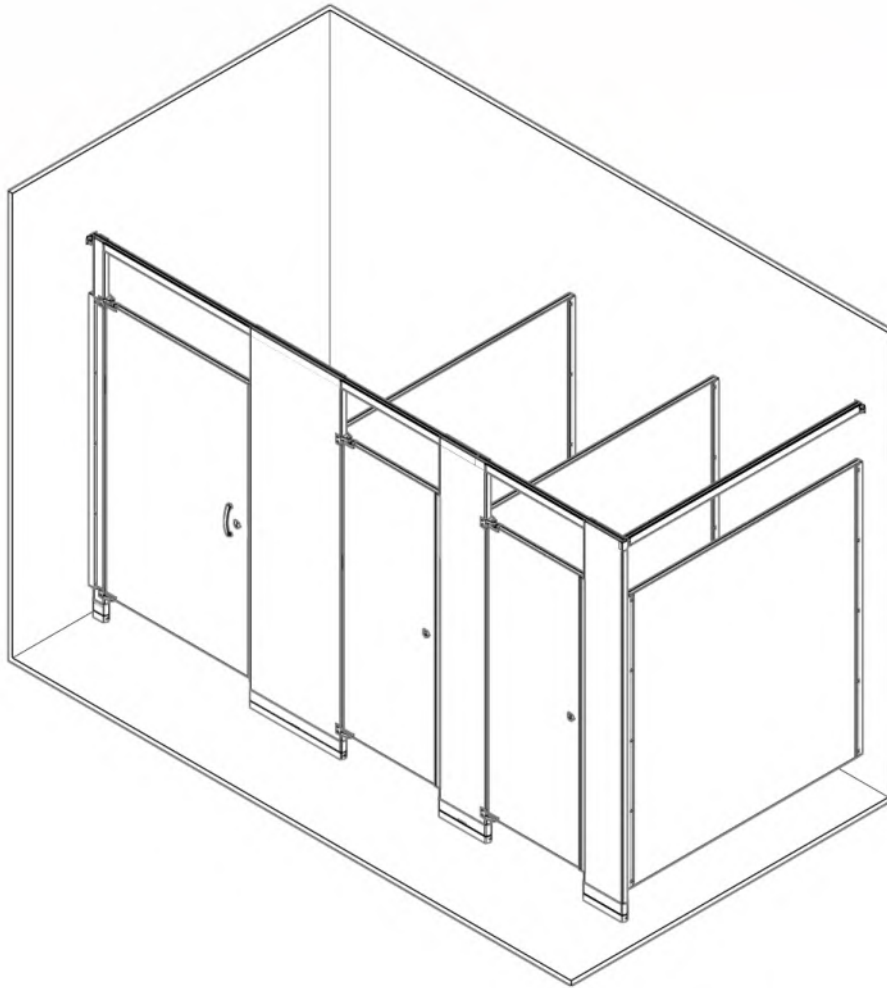
Installation Manual for Metal Toilet Partitions

Elite, Elite Plus, &
Elite Max Series

 646-453-4564

 info@partitionstalls.com

 www.partitionstalls.com



5999ELT-INSTRUCTION



Table of Contents (select step to go to page)	Page
General Notes and Tools Required_____	3
STEP 1: Establish Floor Bracket Locations_____	4
STEP 2: Fasten Floor Brackets_____	4 & 5
STEP 3: Erect Panels_____	6
STEP 4: Erect Wall Pilaster_____	7 & 8
STEP 5: Prepare Pilaster for Door_____	8 & 9
STEP 6: Fasten “U” Channels to Pilaster_____	10
STEP 7: Erect Pilaster_____	10 & 11
STEP 8: Prepare Door for Hanging_____	11 & 12
STEP 9: Hang Door_____	12 & 13
STEP 10: Erect Remaining Compartments_____	13
STEP 11: Secure Headrail Brackets_____	14
STEP 12: Place Headrail_____	14 & 15
Appendix A: Alcove Units_____	16
Appendix B: Stirrup Brackets_____	17 & 18
Appendix C: Indicator Latch_____	19 & 20
Appendix D: Continuous Hinge_____	21
Appendix E: Concealed Hinge_____	22
Appendix F: Ceiling Hung Mounted Partitions_____	23
Appendix G: Floor Mounted Partitions_____	24
Appendix H: Floor to Ceiling Mounted Partitions_____	25
Appendix I: Panel Support Pedestal_____	26
Appendix J: Post Mount Headrail Braced_____	27
Appendix K: Post Mount Floor Mounted_____	28
Appendix L: Post Mount Ceiling Hung_____	29
Appendix M: Post Mount Floor to Ceiling_____	30
Appendix N: Transom Panels_____	31

General Notes

The following installation instructions are based on headrail braced compartments in the most common unit arrangement. Other arrangements will be encountered, i.e. units contained between two walls or between two free-standing panels. For details on ceiling hung and floor to ceiling connections, refer to the appendix. Always adhere to applicable building codes.

Ceiling hung and floor to ceiling toilet partitions require an overhead structural member (normally a channel). This member is supplied, installed and drilled by others. Stud assemblies are available from Hadrian, but Hadrian does not install them. Stud assemblies should be in place prior to application of finished ceiling.

FINAL LAYOUT DRAWINGS. For dimensional information, refer to your plan layout and dimensional details. Note in particular the relationship of the panels to the pilasters (panels do not necessarily fall on the center line of the pilaster).

Recommended Safety Equipment

Safety Glasses



Safety Gloves



Safety Shoes



Hard Hat



Tools Required

4 ft. level
 Chalk line
 Tape Measure
 Hammer
 Hammer drill
 5/16" (8mm) masonry bit
 Miscellaneous drill bits, including 4mm (5/32" & 8mm (5/16")
 6mm (1/4") masonry bit
 11mm (7/16") & 13mm (1/2") wrench
 Miscellaneous screw driver bits
 Adjustable wrench
 Hacksaw
 318mm (12") shim block to rest panels on for easier installation
 6-lobe security driver bits
 "C" Clamp

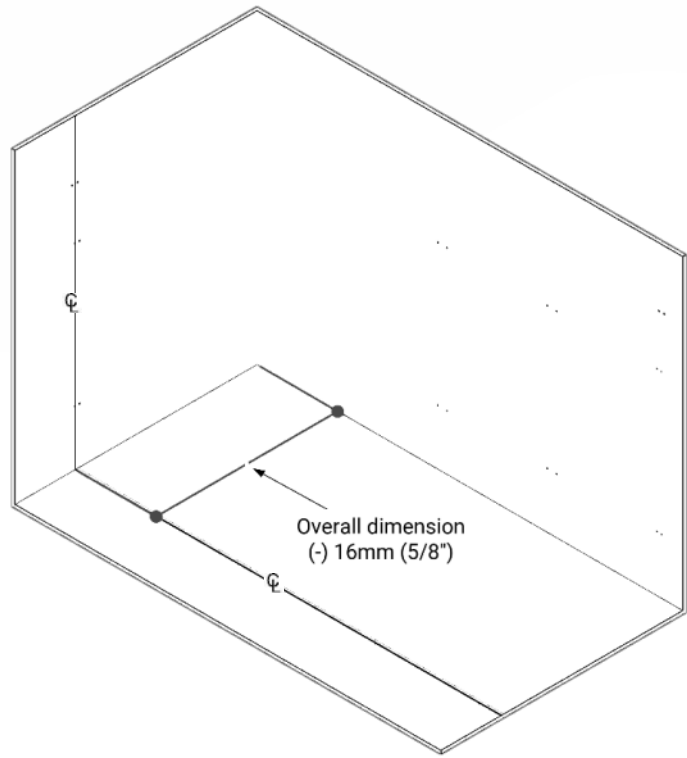
Installation Manual for Metal Toilet Partitions – Elite, Elite Plus & Elite Max Series

STEP 1 : Establish Floor Bracket Locations

Establish the front centerline by taking the overall compartment dimension and deducting 16mm (5/8”).

Use final layout drawings to determine locations.

See page 16 for Alcove Partitions instructions.



STEP 2 : Fasten Floor Brackets

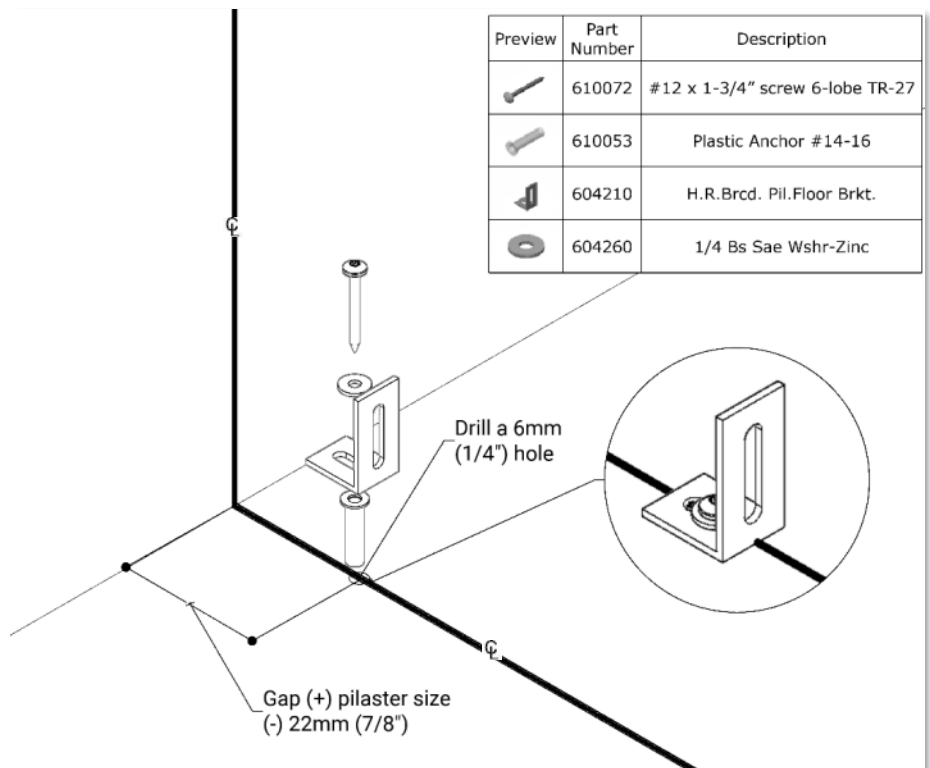
Drill holes for the floor brackets 22mm (7/8”) in from edge of pilaster locations as indicated on the layout drawing.

See page 21 for ceiling hung mounted partition instructions.

See page 22 for floor mounted partition instructions.

See page 23 for floor to ceiling mounted partition instructions.

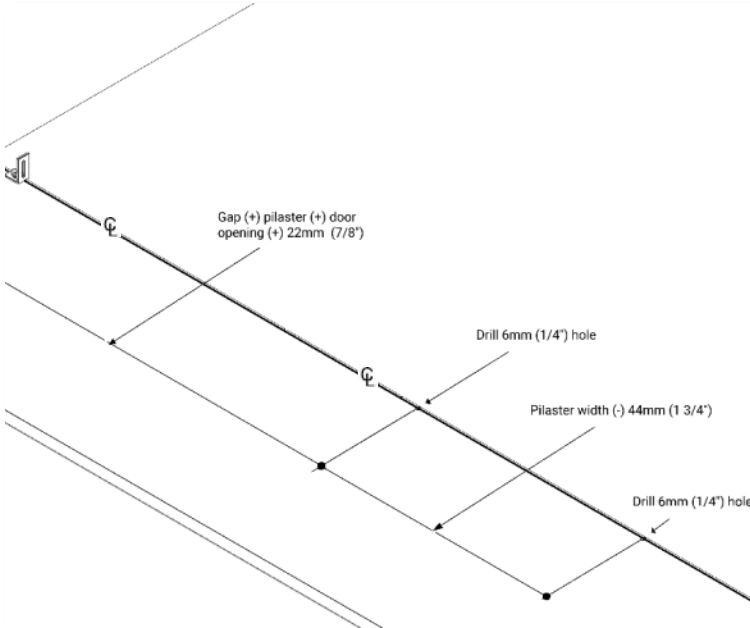
See page 24 for panel support pedestals instructions.



Installation Manual for Metal Toilet Partitions – Elite, Elite Plus & Elite Max Series

STEP 2.1: Fasten Floor Brackets

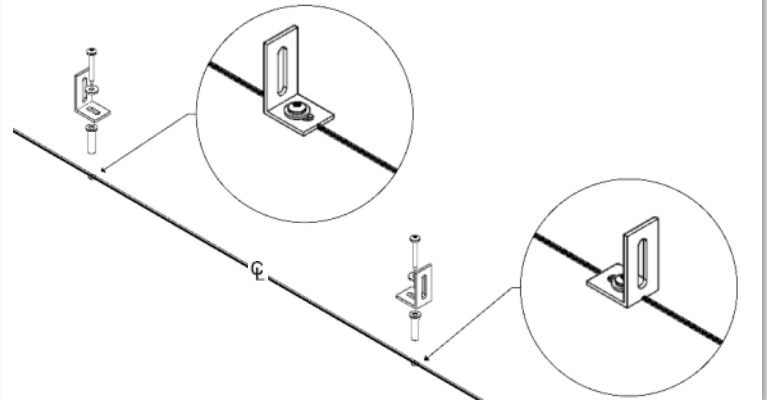
Follow the layout drawings for pilaster locations.



STEP 2.2: Fasten Floor Brackets

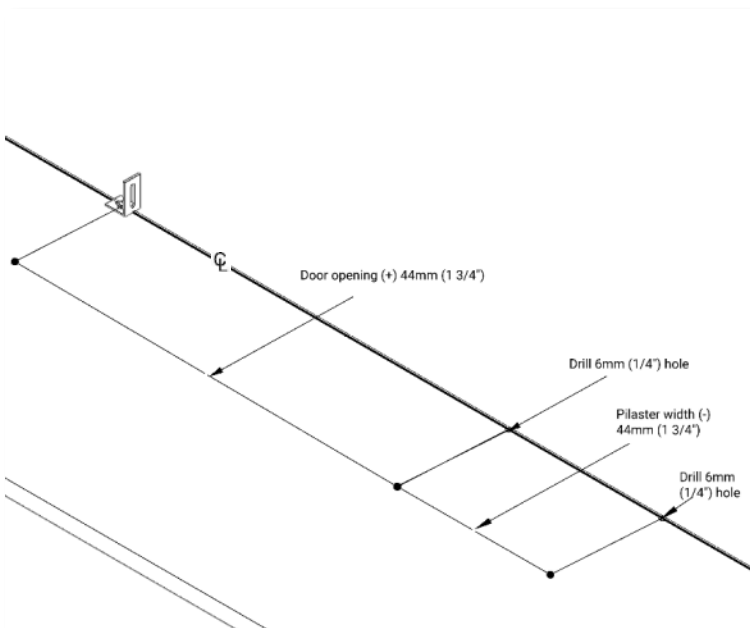
Fasten floor brackets to the floor.

Preview	Part Number	Description
	610072	#12 x 1-3/4" screw 6-lobe TR-27
	610053	Plastic Anchor #14-16
	604210	H.R.Brkd. Pil.Floor Brkt.
	604260	1/4 Bs Sae Wshr-Zinc



STEP 2.3 : Fasten Floor Brackets

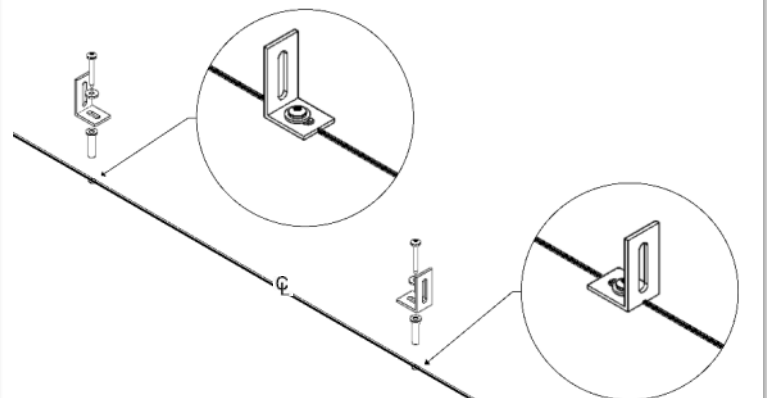
Follow the layout drawings for pilaster locations.



STEP 2.4: Fasten Floor Brackets

Fasten floor brackets to the floor. Repeat steps 2.3 & 2.4 if needed.

Preview	Part Number	Description
	610072	#12 x 1-3/4" screw 6-lobe TR-27
	610053	Plastic Anchor #14-16
	604210	H.R.Brkd. Pil.Floor Brkt.
	604260	1/4 Bs Sae Wshr-Zinc



Installation Manual for Metal Toilet Partitions – Elite, Elite Plus & Elite Max Series

STEP 3: Erect Panel

Using your centerline locations, fasten continuous panel channels to wall.

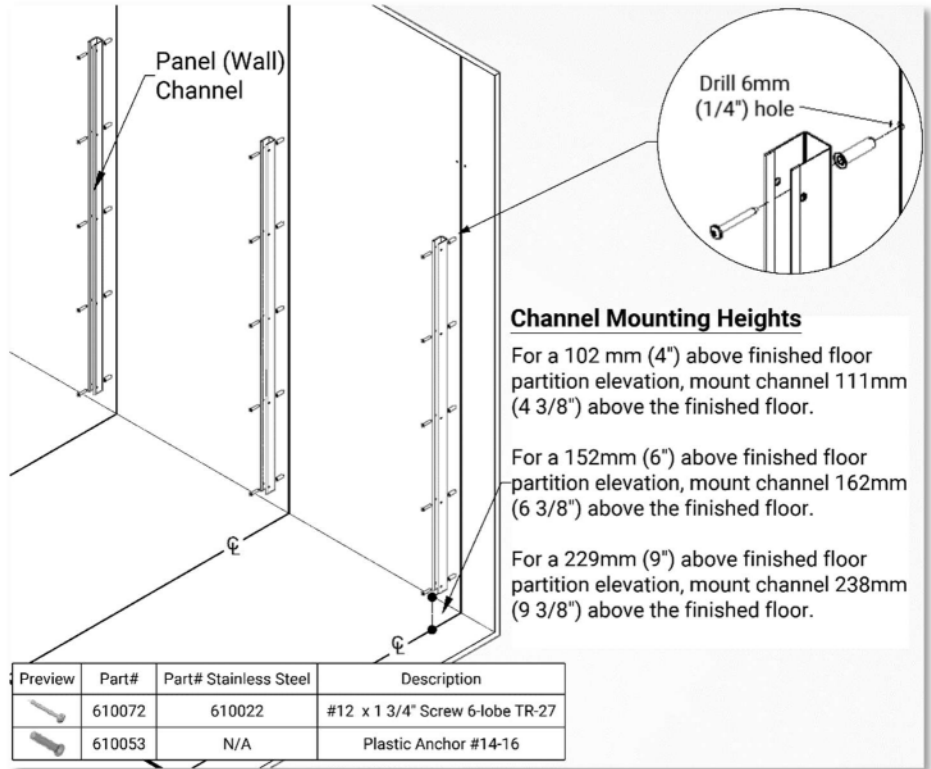
For a 102mm (4") above finish floor elevation, the bottom of the channel is to be mounted 111mm (4 3/8") from the finished floor*.

For a 152mm (6") above finish floor elevation, the bottom of the channel is to be mounted 162mm (6 3/8") from the finished floor*.

For a 229mm (9") above finish floor elevation, the bottom of the channel is to be mounted 238mm (9 3/8") from the finished floor*.

**Adjust based on masonry lines as necessary*

See page 17 & 18 for stirrup bracket mounting instructions.



STEP 3.1: Erect Panel

For a 102mm 4" above finished floor elevation, rest panel on 102mm (4") block and position the panel in the continuous channels.

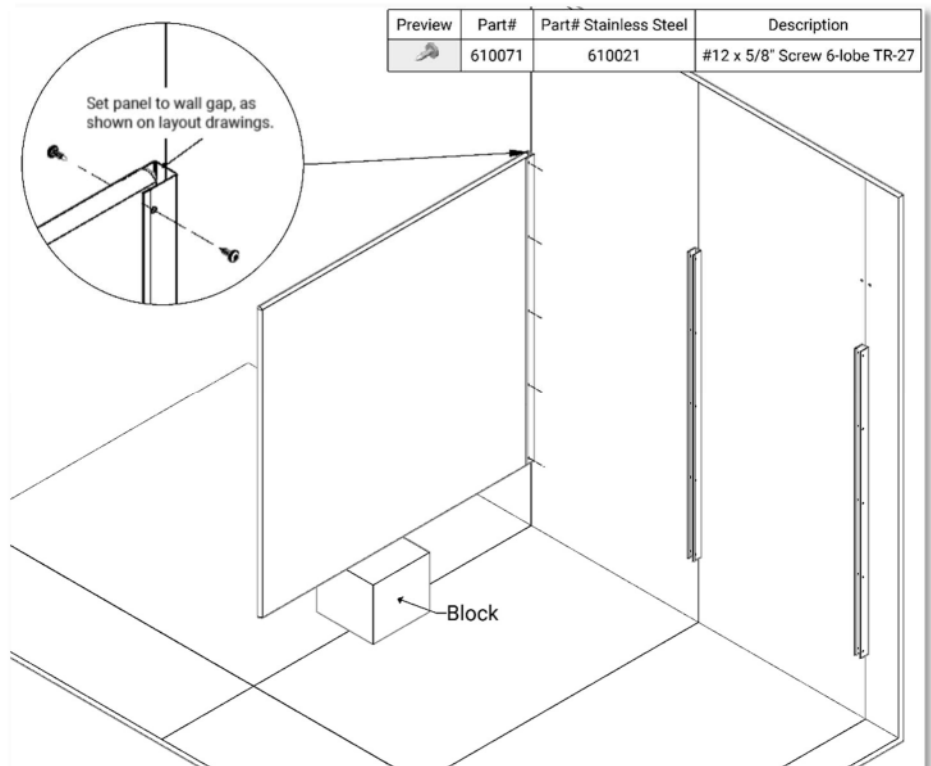
For a 152mm 6" above finished floor elevation, rest panel on 152mm (6") block and position the panel in the continuous channels.

For a 229mm 9" above finished floor elevation, rest panel on 229mm (9") block and position the panel in the continuous channels.

Drill two holes through top channel and fasten. Keep panel on stabilizer block until pilaster has been installed.

See page 24 for panel support pedestals instructions.

See page 30 for transom panel instructions.



Installation Manual for Metal Toilet Partitions – Elite, Elite Plus & Elite Max Series

STEP 4: Erect Wall Pilaster

Using your centerline locations, fasten continuous pilaster channels to wall.



For a 102mm (4") above finished floor elevation, mount the channel 111mm (4 3/8") above the finished floor*.

For a 152mm (6") above finished floor elevation, mount the channel 162mm (6 3/8") above the finished floor*.

For a 229mm (9") above finished floor elevation, mount the channel 238mm (9 3/8") above the finished floor*.

**Adjust based on masonry lines as necessary*

See page 17 & 18 for stirrup bracket mounting instructions.

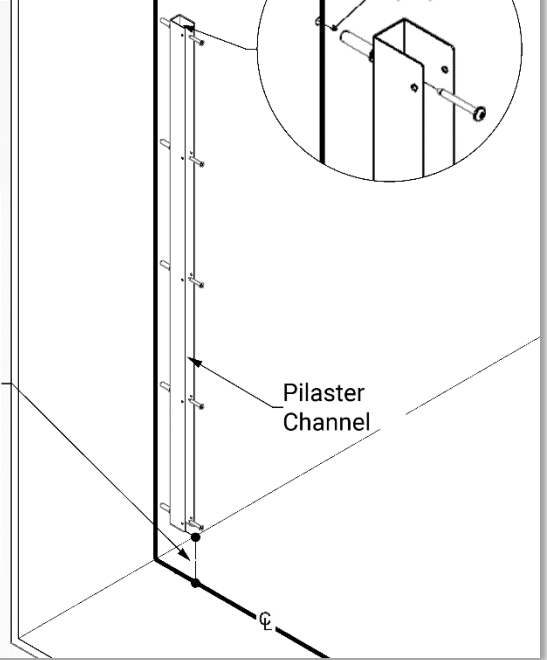
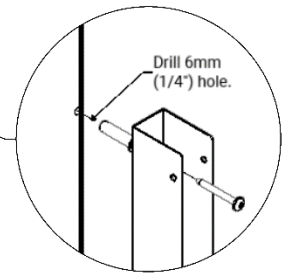
Preview	Part#	Part# Stainless Steel	Description
	610072	610022	#12 x 1 3/4" Screw 6-lobe TR-27
	610053	N/A	Plastic Anchor #14-16

Channel Mounting Heights

For a 102mm (4") above finished floor partition elevation, mount channel 111mm (4 3/8") above the finished floor.

For a 152mm (6") above finished floor partition elevation, mount channel 162mm (6 3/8") above the finished floor.




For a 229mm (9") above finished floor partition elevation, mount channel 238mm (9 3/8") above the finished floor.

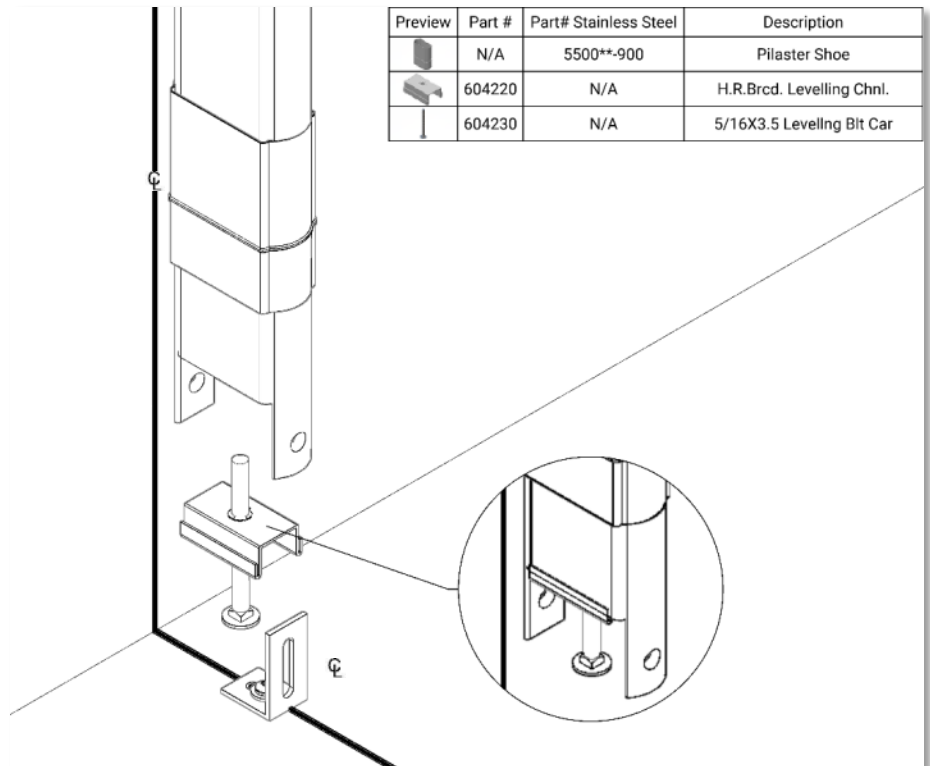


STEP 4.1: Erect Wall Pilaster

Slide shoe onto the pilaster. Position the pilaster in wall brackets and over floor brackets. Install levelling device.

Note: For a better pilaster shoe fit, ensure that the front and back edges of the shoe are parallel to each other. If they are not, then apply hand pressure to the back seam of the shoe until the front and back edges are parallel.

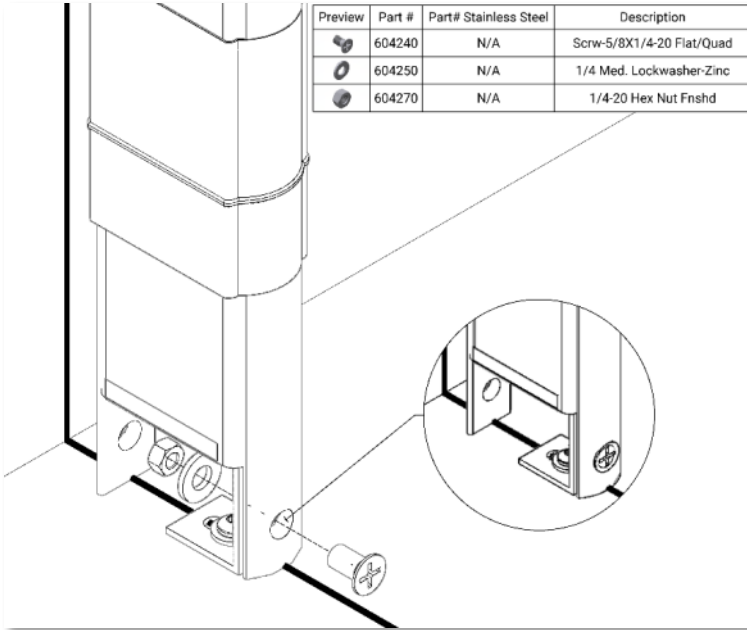
Preview	Part #	Part# Stainless Steel	Description
	N/A	5500**900	Pilaster Shoe
	604220	N/A	H.R. Brcd. Levelling Chnl.
	604230	N/A	5/16X3.5 Levelling Bit Car



Installation Manual for Metal Toilet Partitions – Elite, Elite Plus & Elite Max Series

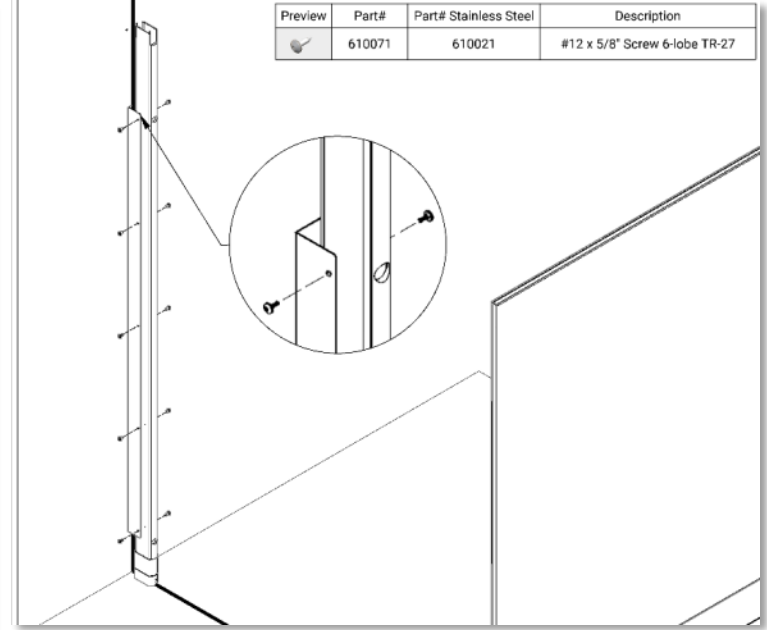
STEP 4.2: Erect Wall Pilaster

Install the floor bracket hardware and tighten.



STEP 4.3: Erect Wall Pilaster

Plumb pilaster and fasten to the pilaster channel.

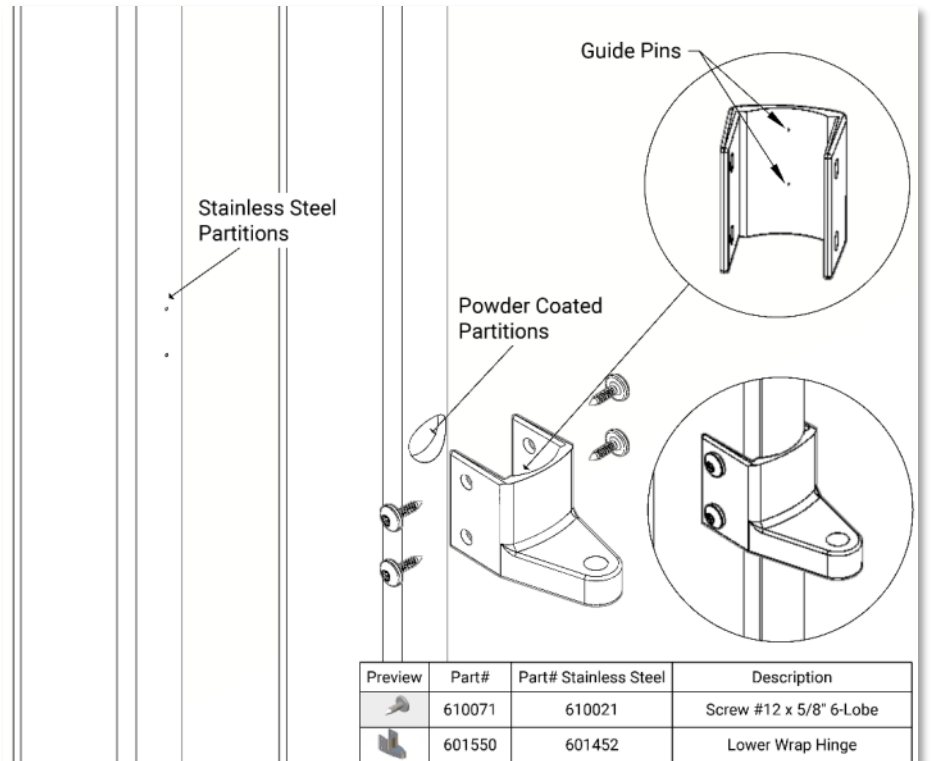


STEP 5: Prepare Pilaster For Door

Install lower hinge by lining up the guide pins with the pre-drilled hinge hole on the pilaster and fasten.

Note:
Stainless Steel pilaster will have two small guide holes vs powder coated, which has a 7/8" hinge hole.

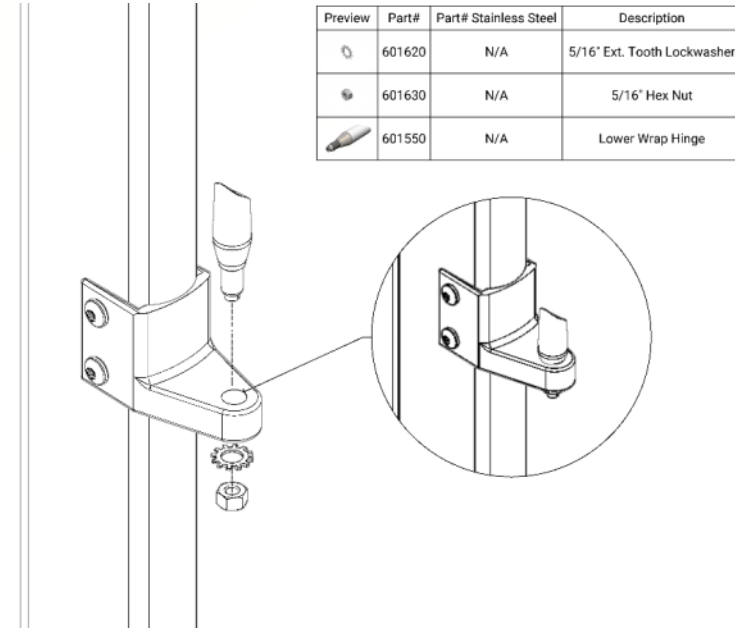
See page 19 for Continuous Hinge instructions.
See page 20 for Concealed Hinge instructions.



Installation Manual for Metal Toilet Partitions – Elite, Elite Plus & Elite Max Series

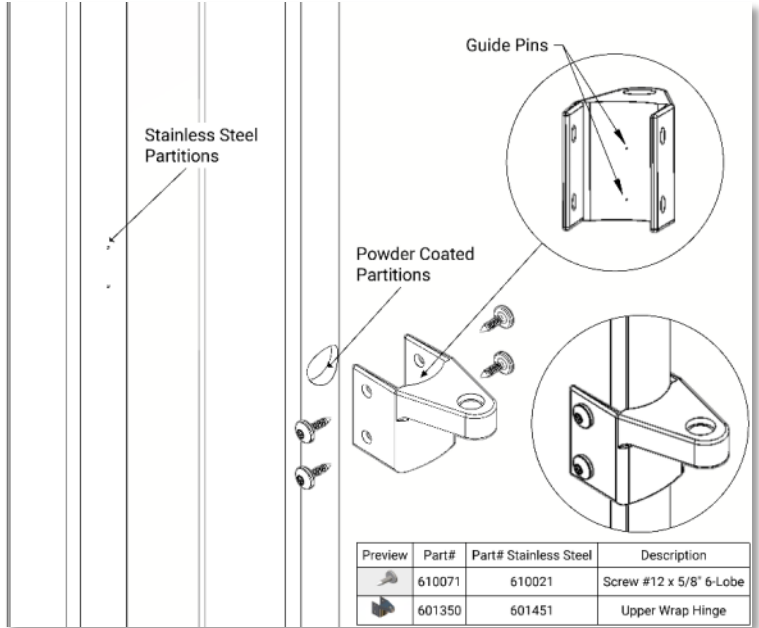
STEP 5.1: Prepare Pilaster For Door

Install and fasten the male cam to lower hinge.



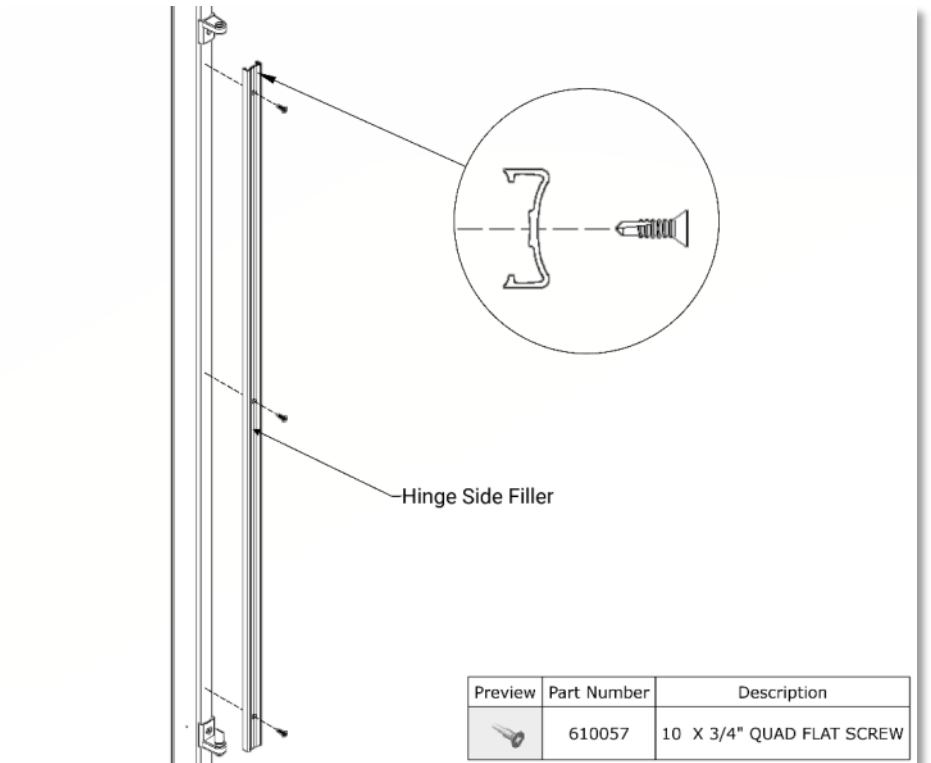
STEP 5.2: Prepare Pilaster For Door

Fasten the upper hinge to pilaster.



STEP 5.3: Fasten Hinge Side Filler To Pilaster

Place hinge side filler between hinges, pre-drill pilaster with 4mm (5/32") pilot holes and install fasteners.



Installation Manual for Metal Toilet Partitions – Elite, Elite Plus & Elite Max Series

STEP 6: Fasten Channel To Pilaster

Place next pilaster on floor brackets and mark centerline of panel on the back of the pilaster.


Using your centerline location, fasten continuous panel channel to the pilaster.

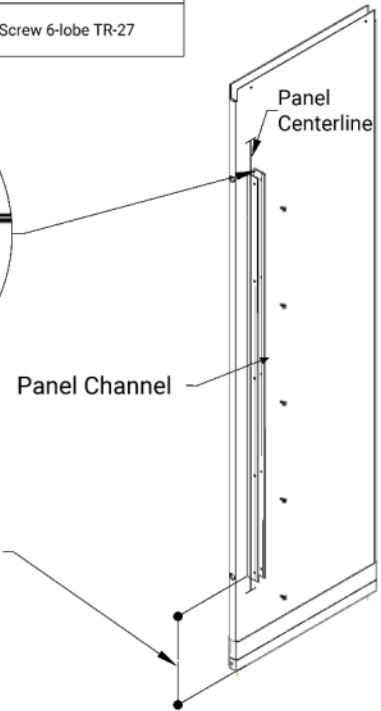
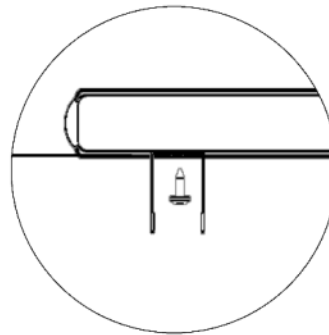
For a 102mm (4") above finished floor elevation, mount the channel 111mm (4 3/8") above the finished floor.

For a 152mm (6") above finished floor elevation, mount the channel 162mm (6 3/8") above the finished floor.

For a 229mm (9") above finished floor elevation, mount the channel 238mm (9 3/8") above the finished floor.

See page 17 & 18 for stirrup bracket mounting instructions.

Preview	Part#	Part# Stainless Steel	Description
	610071	610021	#12 x 5/8" Screw 6-lobe TR-27



For a 102mm (4") above finished floor partition elevation, mount channel 111mm (4 3/8") above the finished floor.






For a 152mm (6") above finished floor partition elevation, mount channel 162mm (6 3/8") above the finished floor.

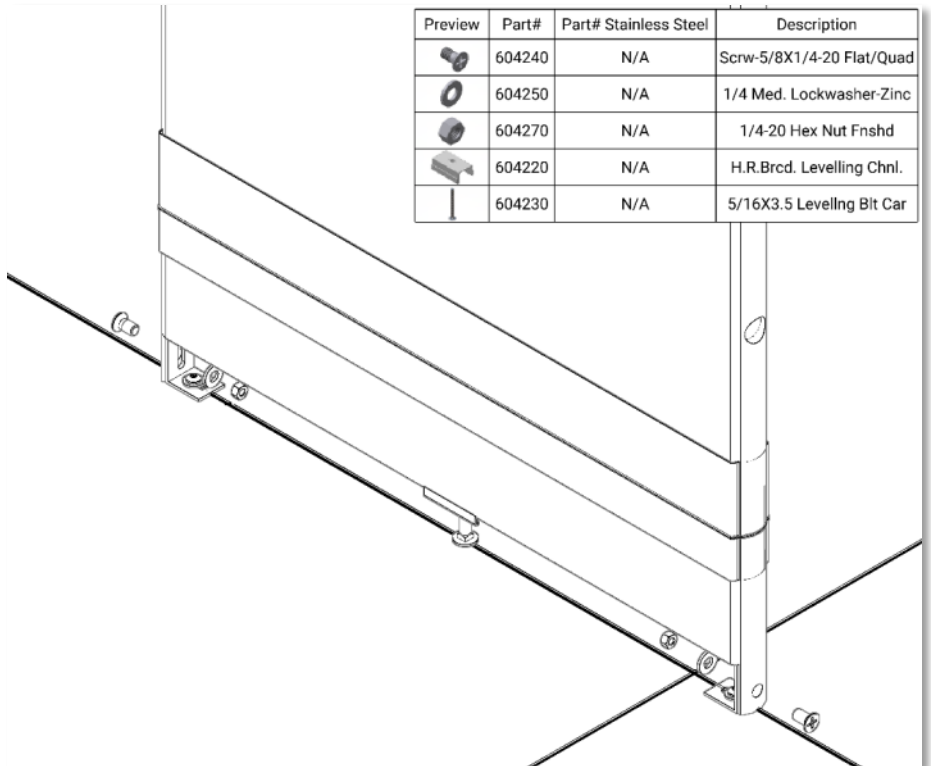
For a 229mm (9") above finished floor partition elevation, mount channel 238mm (9 3/8") above the finished floor.

STEP 7: Erect Pilaster

Slide shoe onto the pilaster. Position pilaster over the floor brackets. Adjust pilaster location so the alcove channel grasps panel. Install floor bracket hardware, levelling device and tighten.

Note: For a better pilaster shoe fit, ensure that the front and back edges of the shoe are parallel to each other. If they are not, then apply hand pressure to the back seam of the shoe until the front and back edges are parallel.

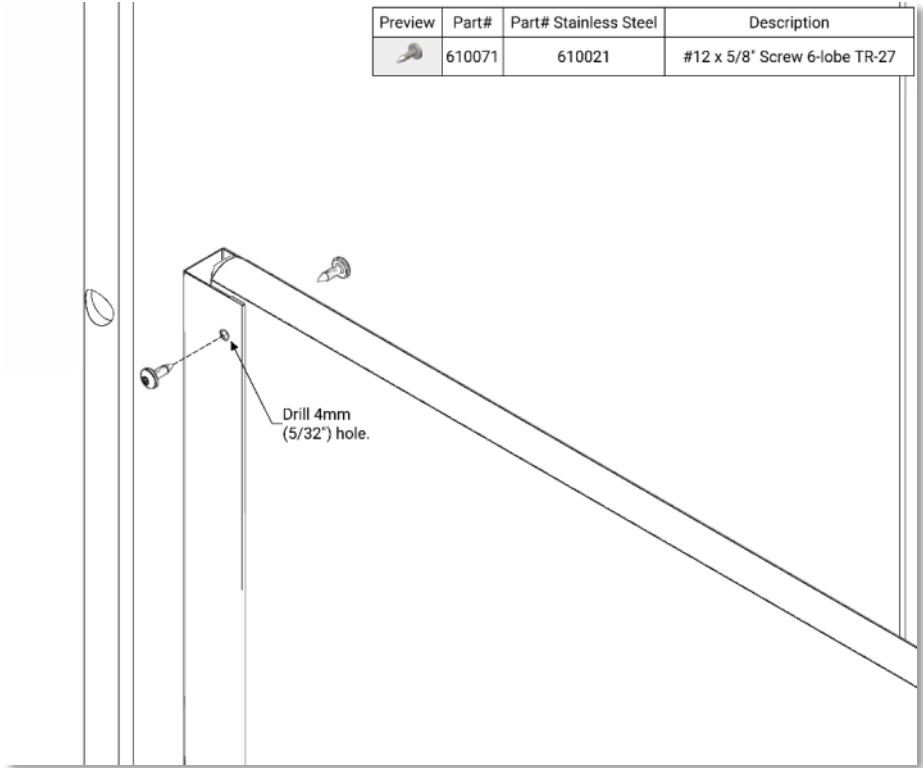
Preview	Part#	Part# Stainless Steel	Description
	604240	N/A	Scrw-5/8X1/4-20 Flat/Quad
	604250	N/A	1/4 Med. Lockwasher-Zinc
	604270	N/A	1/4-20 Hex Nut Fnshd
	604220	N/A	H.R.Brkd. Levelling Chnl.
	604230	N/A	5/16X3.5 Levelling Blt Car



Installation Manual for Metal Toilet Partitions – Elite, Elite Plus & Elite Max Series

STEP 7.1: Erect Pilaster

Plumb panel and pilaster. Secure panel to the pilaster channel.

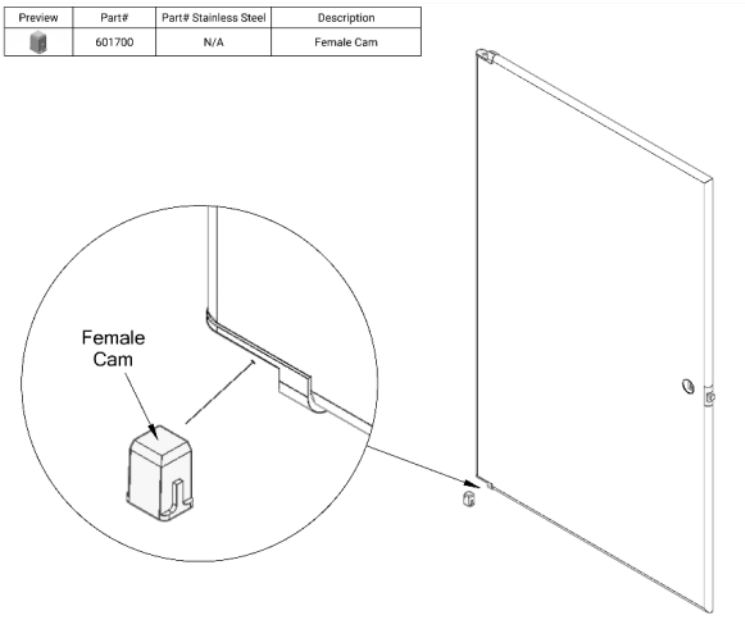


Preview	Part#	Part# Stainless Steel	Description
	610071	610021	#12 x 5/8" Screw 6-lobe TR-27

STEP 8: Prepare Door For Hanging

Insert female cam into the bottom-door hinge casting.

Preview	Part#	Part# Stainless Steel	Description
	601700	N/A	Female Cam

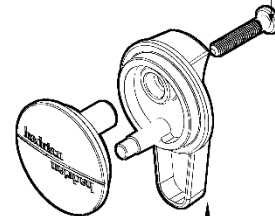


STEP 8.1: Prepare Door For Hanging

Install inner and outer knobs on the door.
See page 19 for Indicator Latch instructions

NEW Threaded Inner / Outer Knob

Use either a hand tool or a power drill set to the lowest torque and speed.



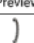

Install latch with thumb lever pointing downwards.

Preview	Part#	Part# Stainless Steel	Description
	601150	901150	Kit Inner / Outer Knob
	601150	901150	Kit Inner / Outer Knob

Installation Manual for Metal Toilet Partitions – Elite, Elite Plus & Elite Max Series

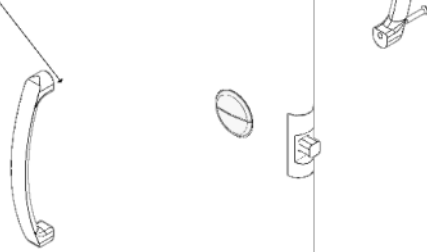
STEP 8.2: Prepare Door For Hanging

Install the door pulls. For outswing & accessible doors only.

Preview	Part#	Part# Stainless Steel	Description
	610112	900112	Door Pull - Chrome 5-1/2"
	N/A	N/A	Door Pull Screw




Mount door pulls 178mm (7") from the edge of door.

Refer to local codes for mounting height.



STEP 8.3: Prepare Door For Hanging

Fasten coat hook and bumper to door.

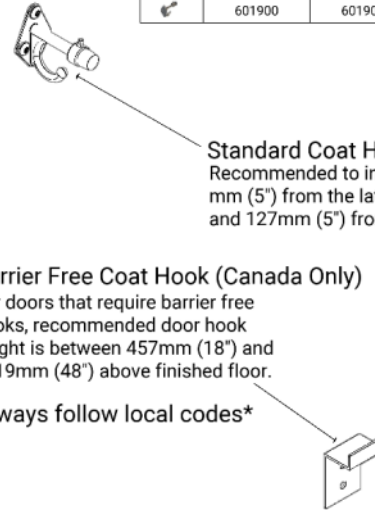
Preview	Part#	Part# Stainless Steel	Description
	610071	610021	#12 x 5/8" Screw 6-lobe TR-27
	N/A	790041	Barrier Free Coat Hook
	601900	601900-700	Coat Hook and Bumper

Standard Coat Hook and Bumper
Recommended to install door hook 127 mm (5") from the latch side of door and 127mm (5") from the top of door.

Barrier Free Coat Hook (Canada Only)





For doors that require barrier free hooks, recommended door hook height is between 457mm (18") and 1219mm (48") above finished floor.

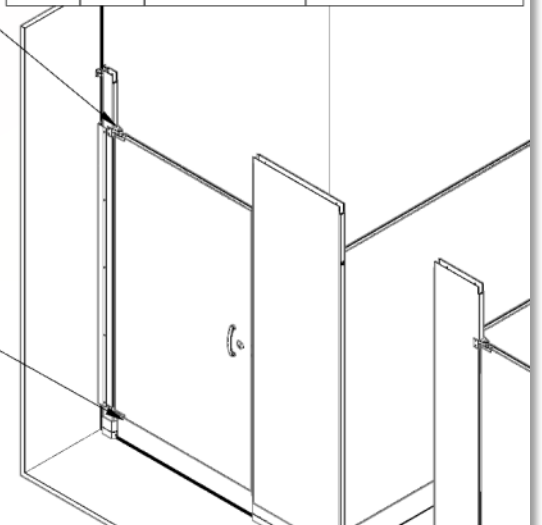
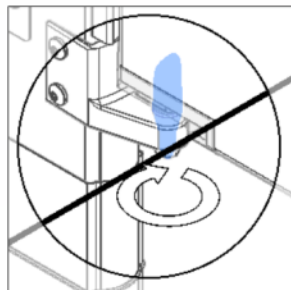
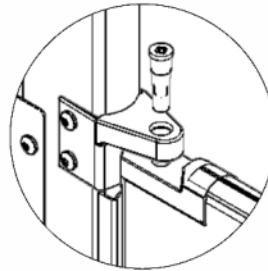
Always follow local codes



STEP 9: Hang Door

Lower door onto the male cam of the lower hinge. Install threaded upper hinge pin. To set door at required angle, loosen the nut of the male cam assembly, set door at required angle and tighten nut.

Preview	Part#	Part# Stainless Steel	Description
	601630	N/A	5/16" - 18 Hex Nut
	631400	N/A	Upper Hinge Pin
	601620	N/A	5/16" Ext. Tooth Lockwasher
	601611	N/A	Male Cam Insert



Installation Manual for Metal Toilet Partitions – Elite, Elite Plus & Elite Max Series

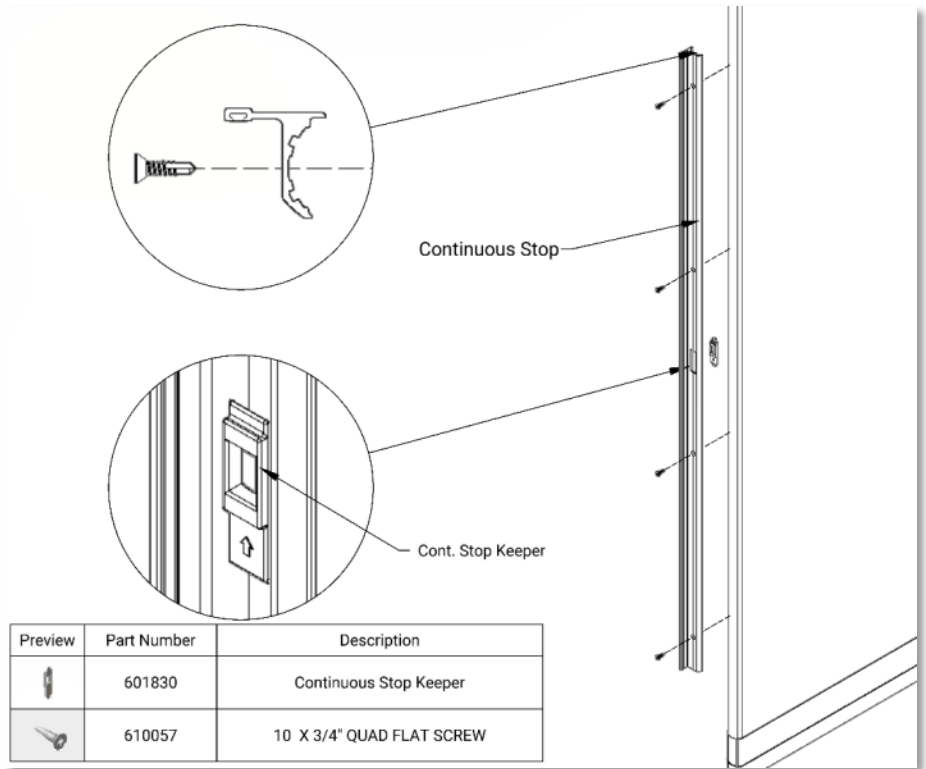
STEP 9.1: Hang Door

Place continuous stop on pilaster, ensuring the top lines up with the locking bar (trim) seam on the top of the door.

Pre-drill pilaster with 4mm (5/32") pilot holes and install fasteners.

Note: The arrow on the Stop Keeper **must** point upwards for the latch to line up with the keeper.

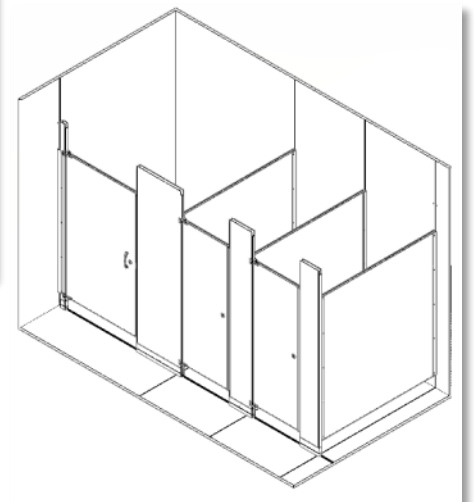
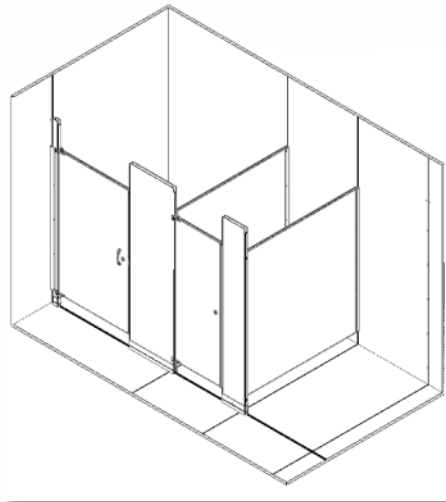
See page 19 for Indicator Latch instructions



STEP 10: Erect Remaining Compartments

Ensure all pilasters are fastened to floor brackets, add all remaining fasteners and repeat steps 3-10 (as necessary) for all remaining compartments.

Note: Hadrian recommends installing one compartment (including door) at a time.








Installation Manual for Metal Toilet Partitions – Elite, Elite Plus & Elite Max Series

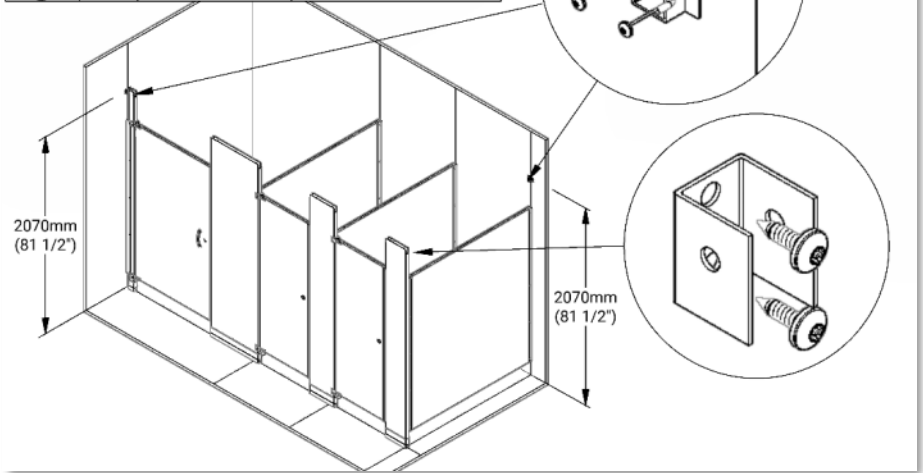
STEP 11: Secure Headrail Brackets

Fasten Headrail brackets to the wall approximately 2070mm (81 1/2")* above floor (some adjustments may be necessary due to varying floor conditions).

*For Elite Plus partitions mounted 229mm (9") above finished floor, fasten Headrail brackets 2146mm (84 1/2") above floor.

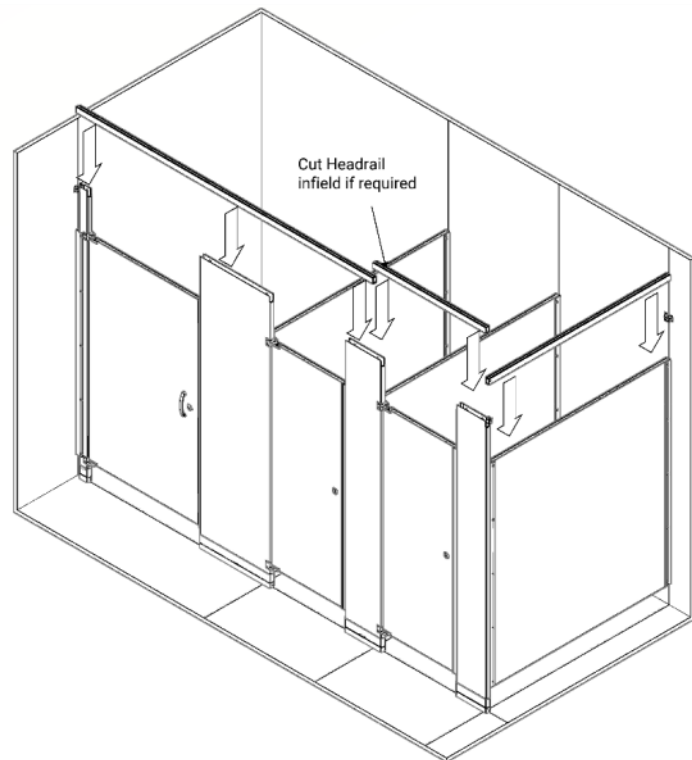
*For Elite Max partitions, refer to elevation drawing.

Preview	Part#	Part# Stainless Steel	Description
	610072	610022	#12 x 1 3/4" Screw 6-lobe TR-27
	610053	N/A	Plastic Anchor #14-16
	610071	610021	#12 x 5/8" Screw 6-lobe TR-27
	607110	N/A	Headrail Bracket
	607210	N/A	Headrail Corner Clip



STEP 12: Place Headrail

Place Headrail into tops of pilasters and slide into Headrail brackets. Due to the width of some configurations, two or more pieces of Headrail may be required. Splice sections of Headrail on top of pilaster.





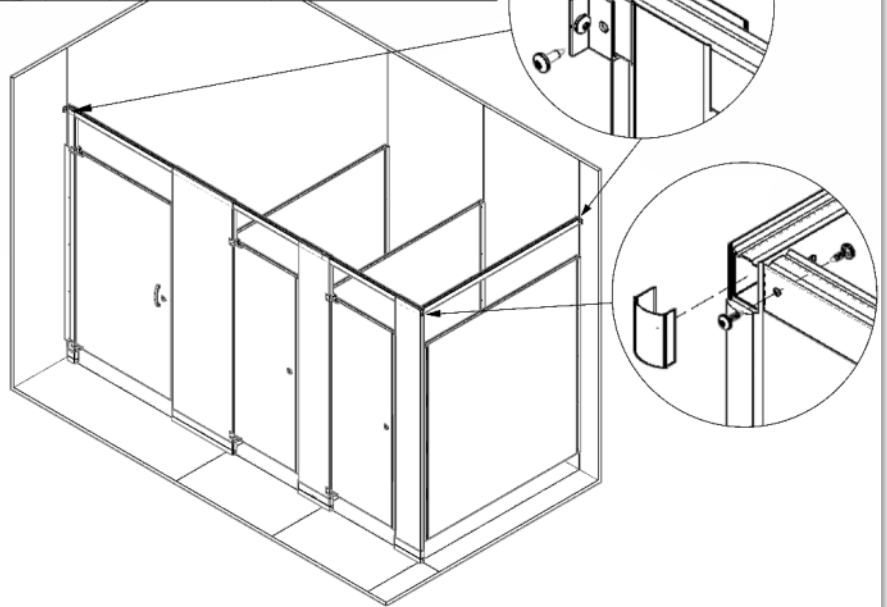
Installation Manual for Metal Toilet Partitions – Elite, Elite Plus & Elite Max Series

STEP 12.1: Place Headrail

Fasten Headrail to the Headrail wall brackets. Install Headrail end cap if required.


Adjust levelling devices to level all compartment components and tighten.

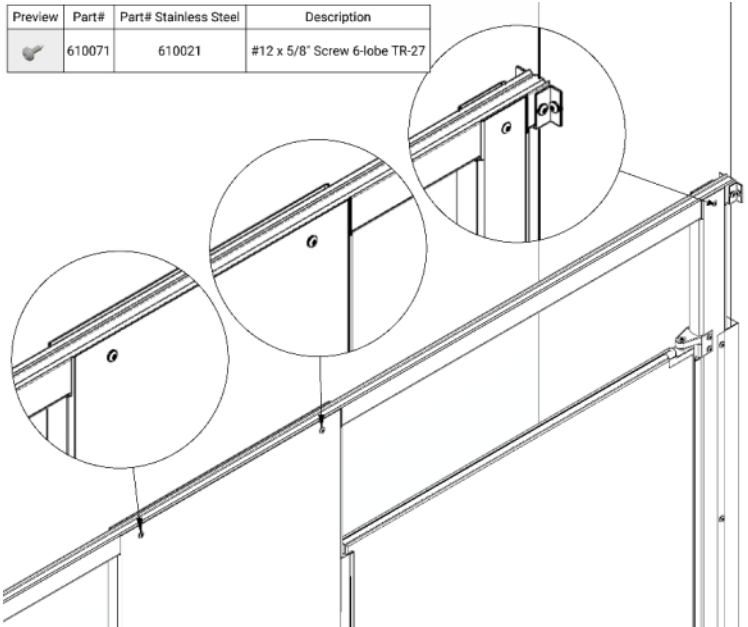
Preview	Part#	Part# Stainless Steel	Description
	610071	610021	#12 x 5/8" Screw 6-lobe TR-27
	607220	N/A	Headrail End Cap



STEP 12.2: Place Headrail

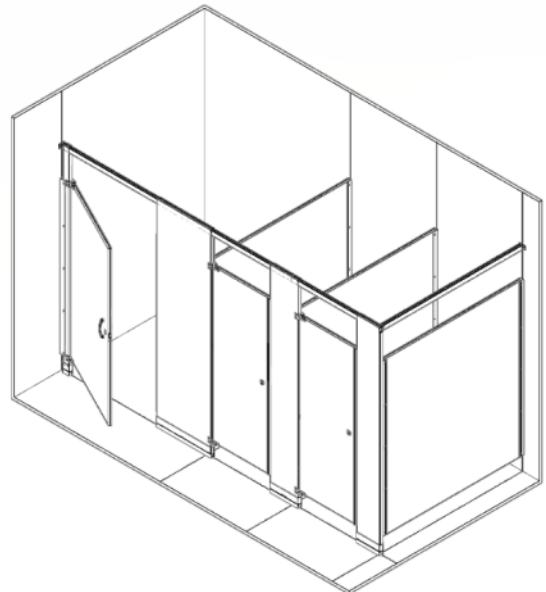
Fasten Headrail to pilasters. Use one screw for pilasters under 8" wide and two screws for pilasters over 8" wide. Fasten the screws on the interior of the partitions only.

Preview	Part#	Part# Stainless Steel	Description
	610071	610021	#12 x 5/8" Screw 6-lobe TR-27



STEP 12.3: Place Headrail


Drill all remaining panel and pilaster holes and fasten to brackets.

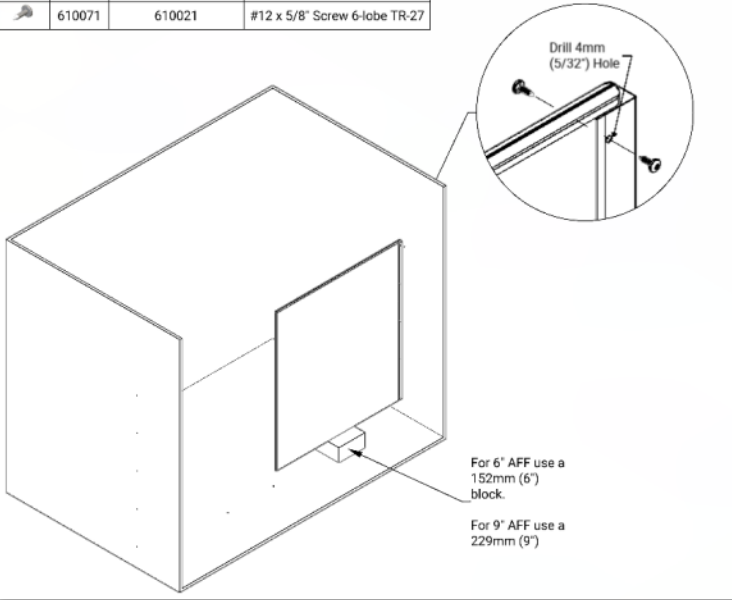


Installation Manual for Metal Toilet Partitions – Elite, Elite Plus & Elite Max Series

Appendix A-1 - Alcove Unit


Rest panel on a block and position in channel. Drill two holes through top and fasten. Keep the panel on stabilizer block until middle pilaster has been installed.

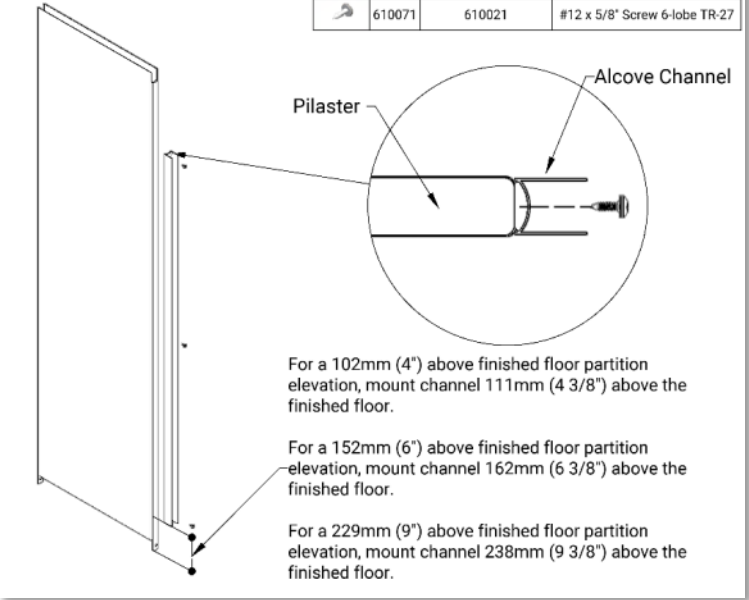
Preview	Part#	Part# Stainless Steel	Description
	610071	610021	#12 x 5/8" Screw 6-lobe TR-27



Appendix A-2 - Alcove Unit


Position concave side of alcove channel to pilaster. Secure with a minimum of three screws. Follow Step 7 for pilaster mounting instructions.

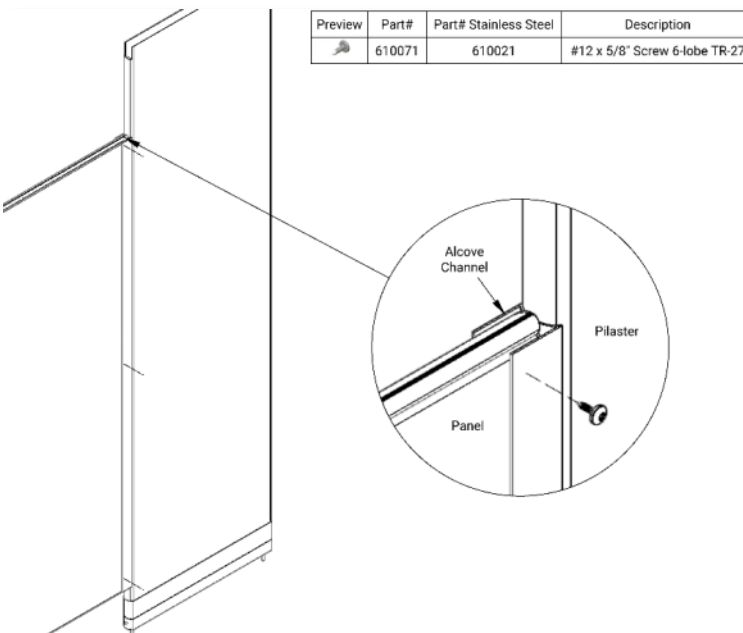
Preview	Part#	Part# Stainless Steel	Description
	610071	610021	#12 x 5/8" Screw 6-lobe TR-27



Appendix A-3 - Alcove Unit





Plumb panel and pilaster. Secure panel to the alcove channel with a minimum of three screws on the inside of the unit.

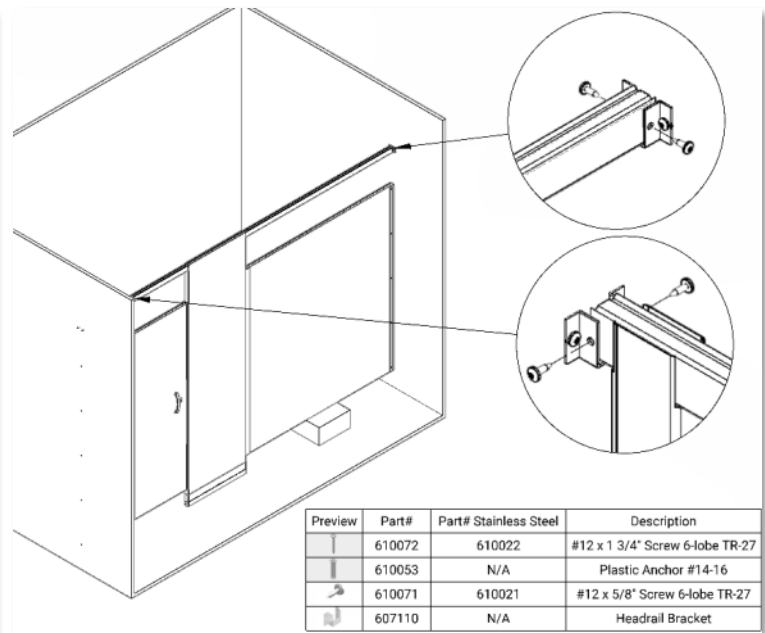
Preview	Part#	Part# Stainless Steel	Description
	610071	610021	#12 x 5/8" Screw 6-lobe TR-27



Appendix A-4 - Alcove Unit

Fasten Headrail to the Headrail wall brackets. Adjust levelling devices to level all compartment components and tighten. Follow Steps 4, 5, 8 and 9 for pilaster and door mounting instructions.

Preview	Part#	Part# Stainless Steel	Description
	610072	610022	#12 x 1 3/4" Screw 6-lobe TR-27
	610053	N/A	Plastic Anchor #14-16
	610071	610021	#12 x 5/8" Screw 6-lobe TR-27
	607110	N/A	Headrail Bracket



Installation Manual for Metal Toilet Partitions – Elite, Elite Plus & Elite Max Series

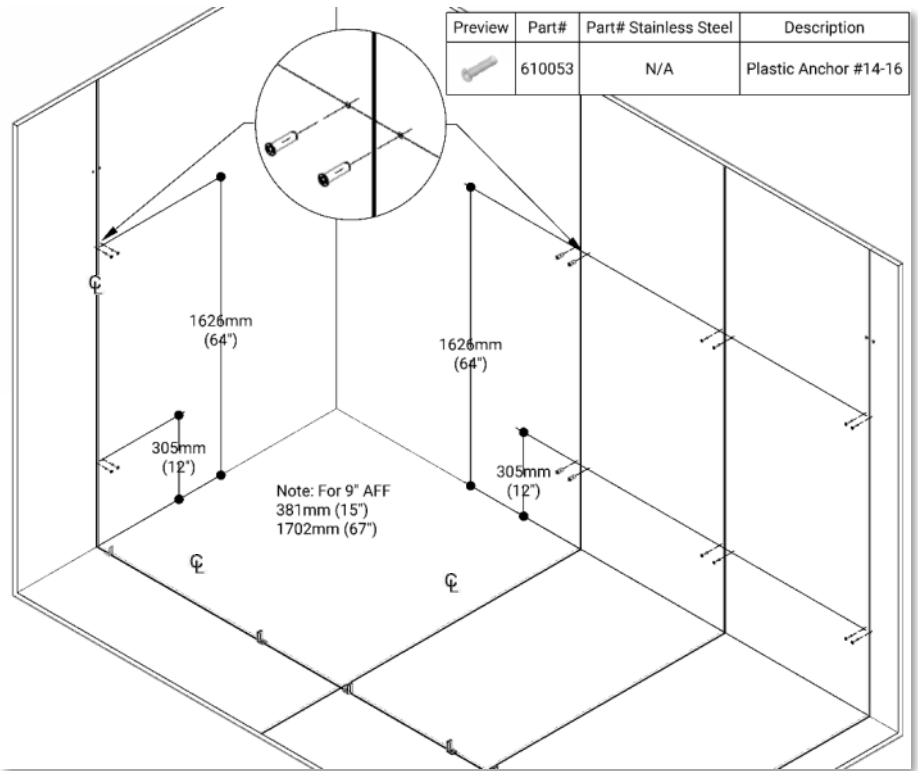
Appendix B-1 – Stirrup Bracket Option

Using your centerline locations, measure, pre-drill and install plastic anchors.*

For a 152mm (6") above finished floor elevation, mount the stirrup brackets 305mm (12") & 1626mm (64") above the finished floor.

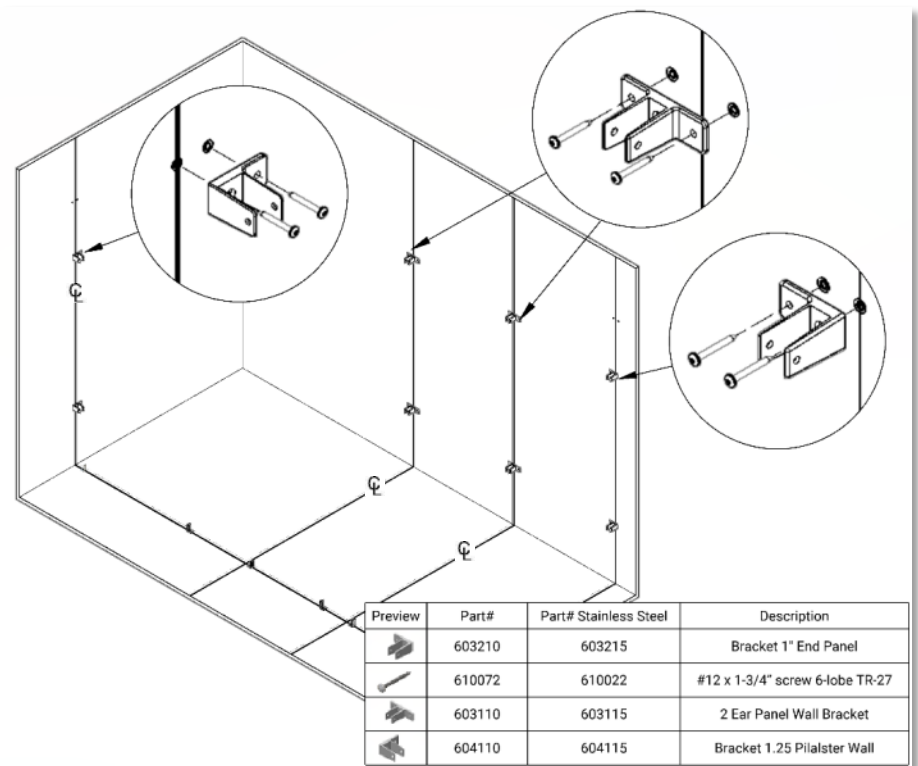
For a 229mm (9") above finished floor elevation, mount the stirrup brackets 381mm (15") & 1702mm (67") above the finished floor.

**Adjust based on masonry lines as necessary*



Appendix B-2 – Stirrup Bracket Option

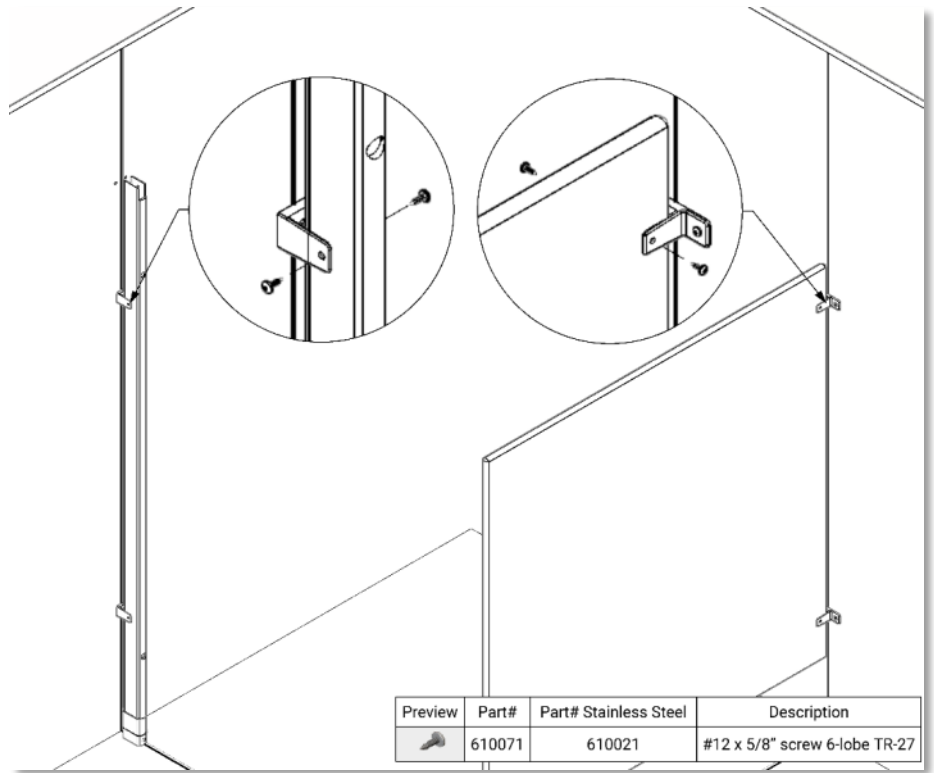
Fasten stirrup brackets to wall.



Installation Manual for Metal Toilet Partitions – Elite, Elite Plus & Elite Max Series

Appendix B-3 - Continuous Channel Option

Fasten stirrup brackets to wall pilaster and panel.

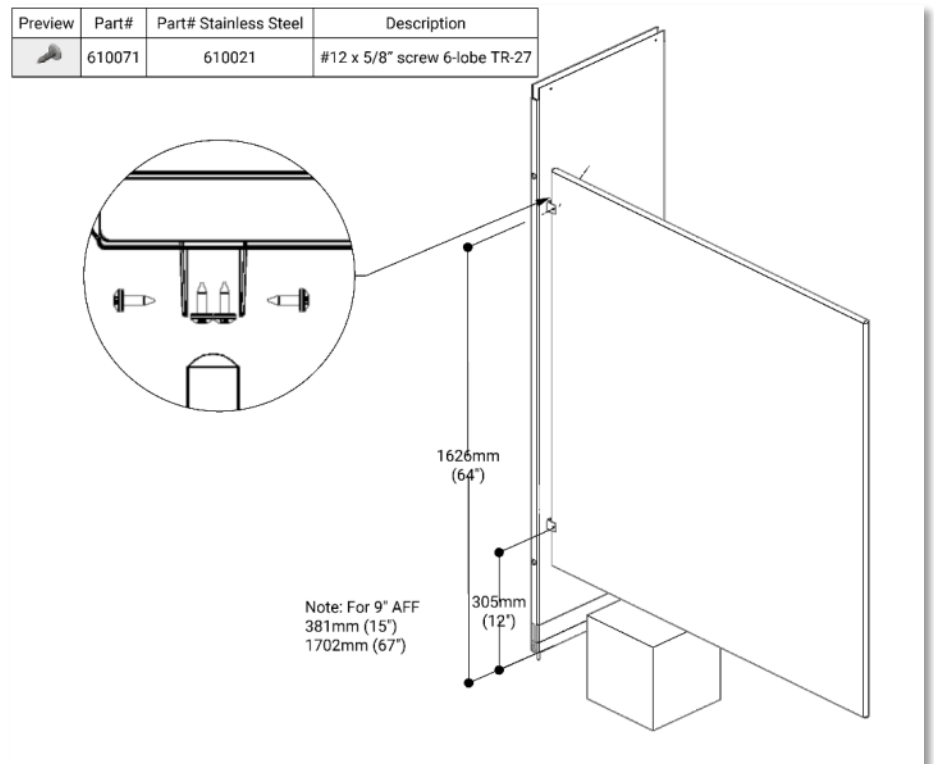


Appendix B-4 - Continuous Channel Option

Place pilaster on floor brackets and mark centerline of panel on the back of the pilaster and fasten "U" brackets.

For a 152mm (6") above finished floor elevation, mount the stirrup brackets 305mm (12") & 1626mm (64") above the finished floor.

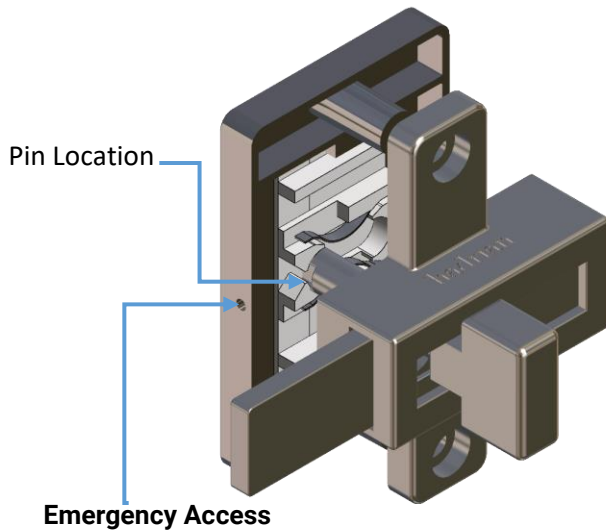
For a 229mm (9") above finished floor elevation, mount the stirrup brackets 381mm (15") & 1702mm (67") above the finished floor.



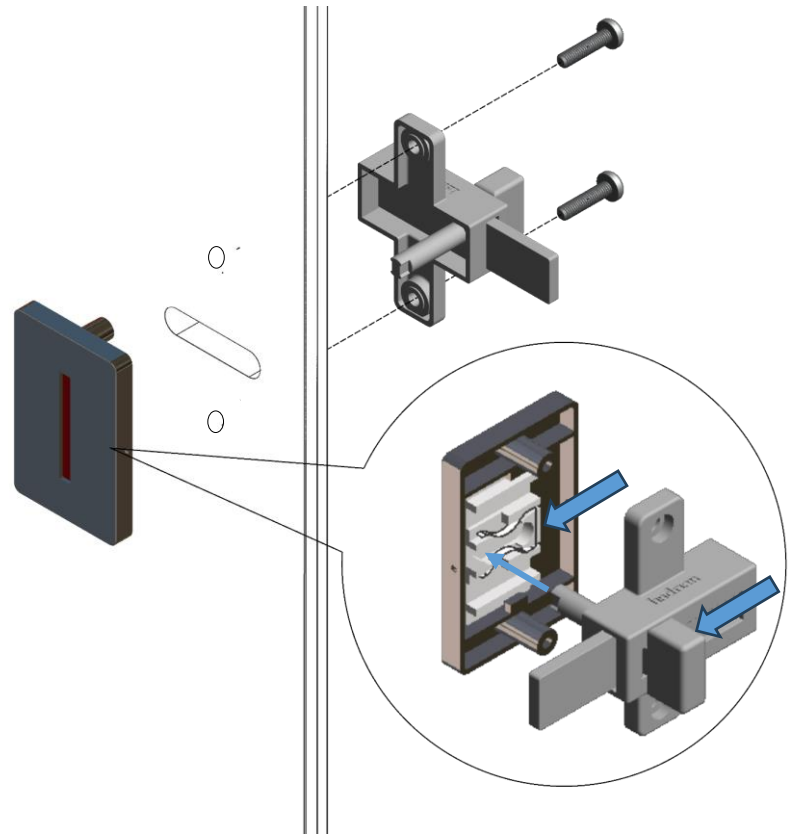
Installation Manual for Metal Toilet Partitions – Elite, Elite Plus & Elite Max Series

STEP C-1 - New Indicator Latch Installation

Set the red/green latch plate to the red position. Set slide latch to the closed position. Line up the latch pin to the round part of the oblong and fasten with screws provided.

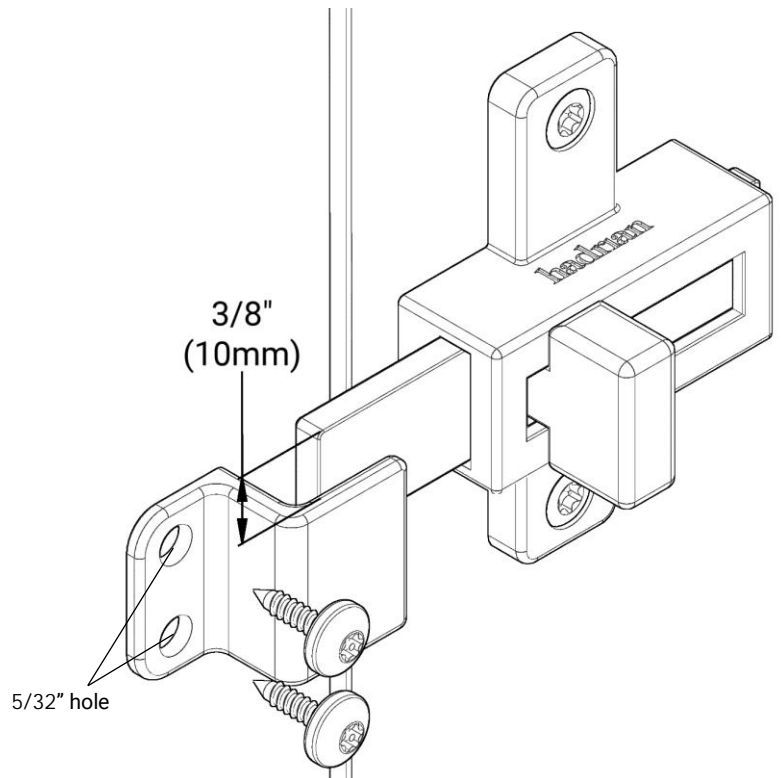


Insert a pin or Allen key 5/64" in diameter or smaller to push open the latch.



STEP C-2: New Indicator Latch Installation

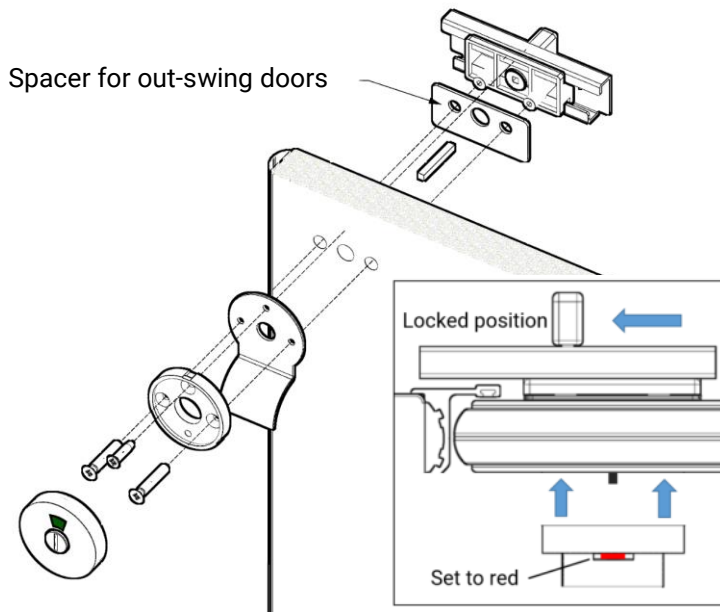
Set latch to the closed position. Position latch keeper 3/8" (10mm) from the top of the latch to allow for **Emergency Access** by door lift. Pre-drill 5/32" holes and fasten latch keeper to pilaster.



Installation Manual for Metal Toilet Partitions – Elite, Elite Plus & Elite Max Series

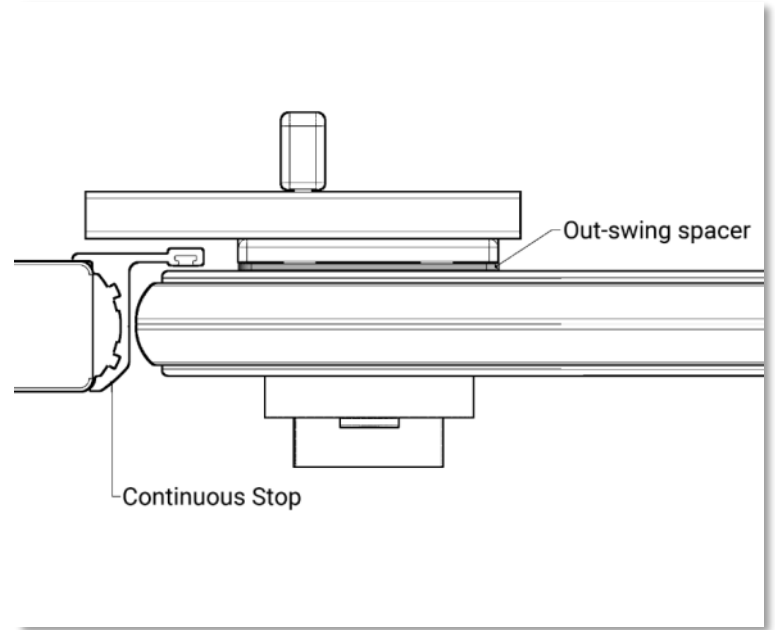
Appendix C-3 – Indicator Latch

Install indicator latch keeper as shown below. When installing indicator face plate to the pin, set the indicator plate to show red in the window and have the latch in the locked position.



Appendix C-4 – Indicator Latch (Out-swing)

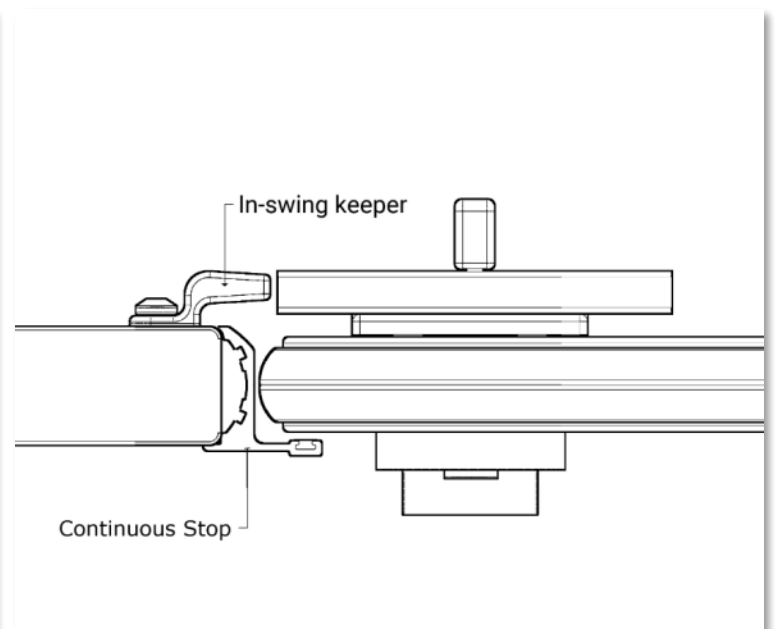
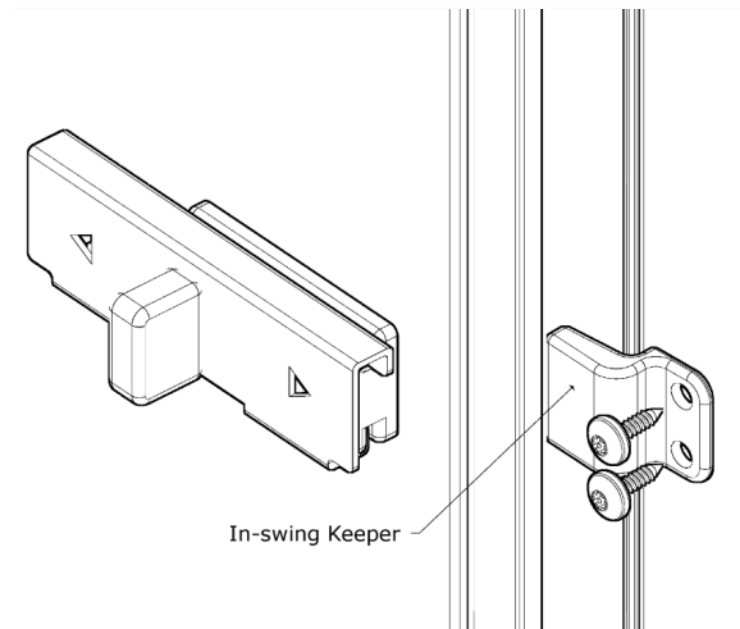
Out-swing doors will use the continuous stop as the keeper. Out-swing spacer to be installed to allow the latch to clear the continuous stop.



Appendix C-5 – Indicator Latch (In-swing)

Line up the in-swing keeper with the latch.

Before fastening the keeper to the pilaster, ensure the door does not hit the keeper when opening. The door should clear the keeper by 1/32".



Installation Manual for Metal Toilet Partitions – Elite, Elite Plus & Elite Max Series

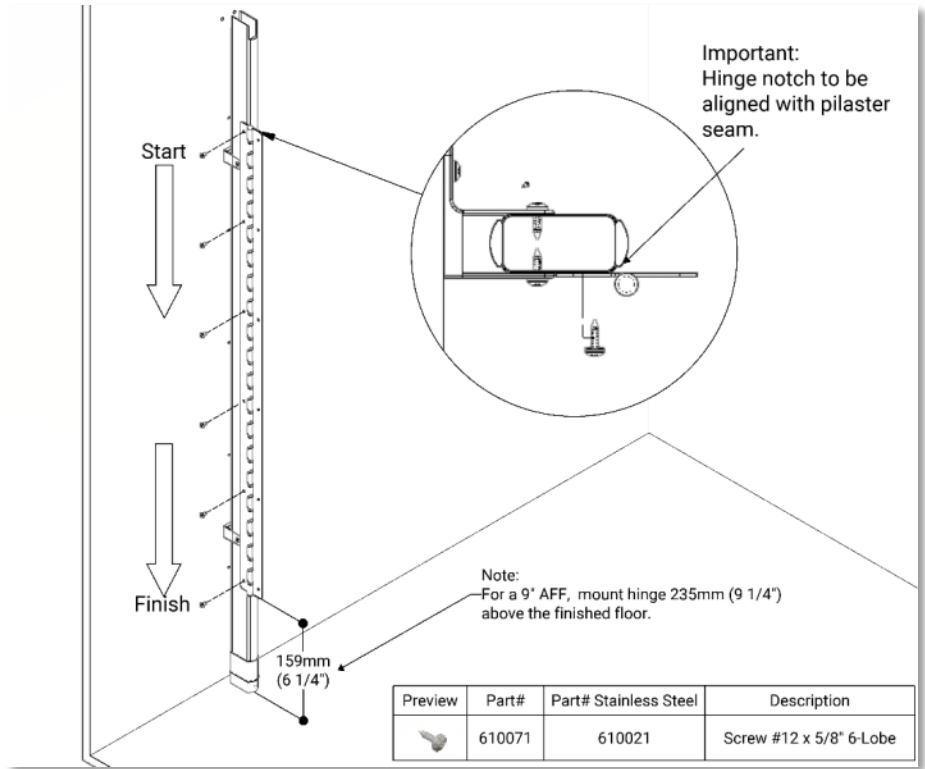
Appendix D-1 - Continuous Hinge

For a 152mm (6") above finished floor elevation, mount hinge to pilaster 159mm (6 1/4") above the finished floor.

For a 229mm (9") above finished floor elevation, mount hinge to pilaster 235mm (9 1/4") above the finished floor.

Align the hinge notch with the seam edge of pilaster. Plumb the hinge and fasten.

Note:
Fasten the screws starting at the top of the hinge and finish at the bottom. The hinge must be installed plumb to work correctly.



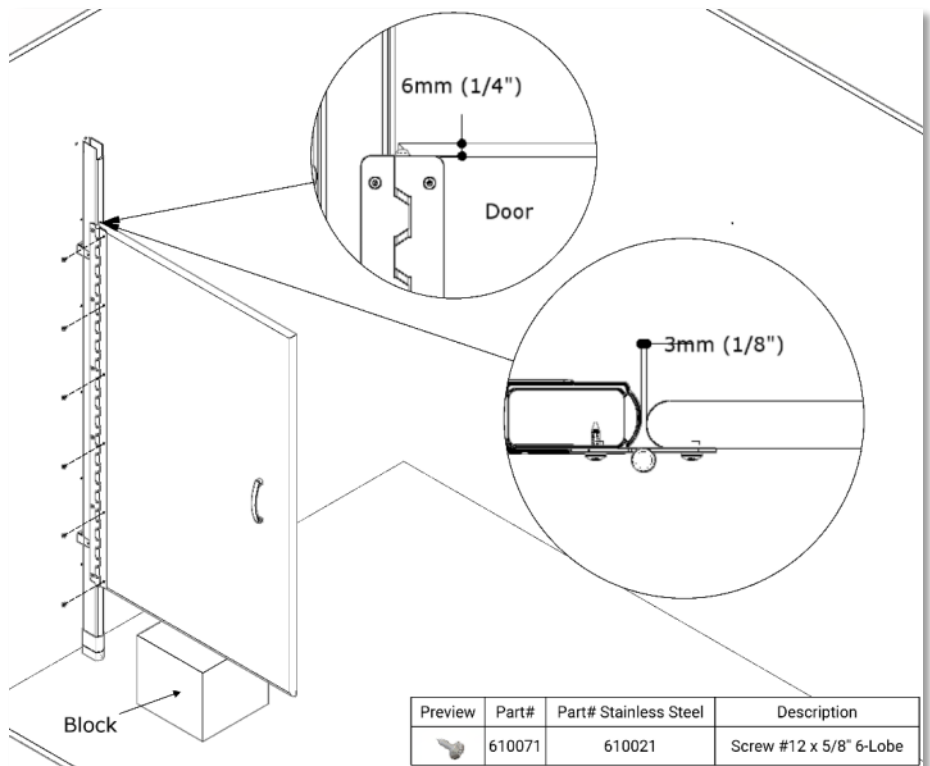
Appendix D-2 - Continuous Hinge

For a 152mm (6") above finish floor elevation, use a 152mm (6") block to position the door.

For a 229mm (9") above finish floor elevation, use a 229mm (9") block to position the door.

Align the top of the hinge 6mm (1/4") from the top of the door edge and 3mm (1/8") from the pilaster edge. Plumb door and fasten the door to the hinge.

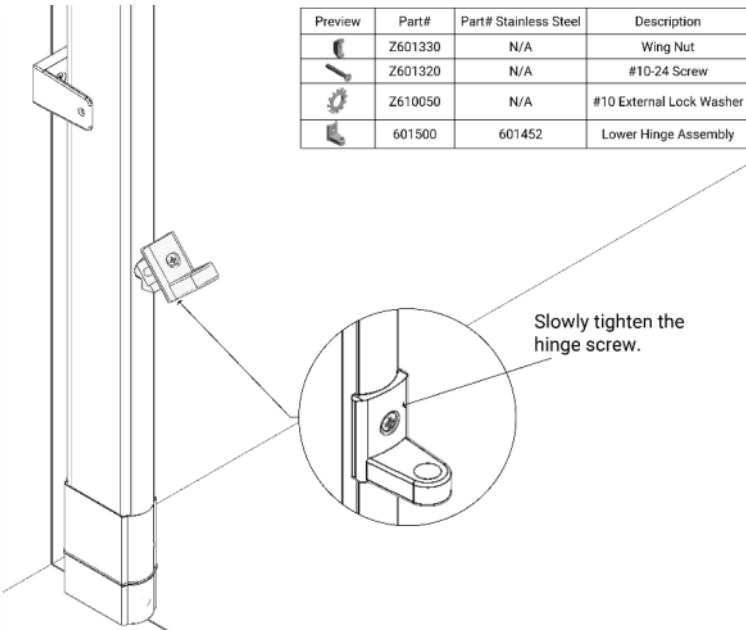
Note:
The hinge must be installed plumb to work correctly.



Installation Manual for Metal Toilet Partitions – Elite, Elite Plus & Elite Max Series

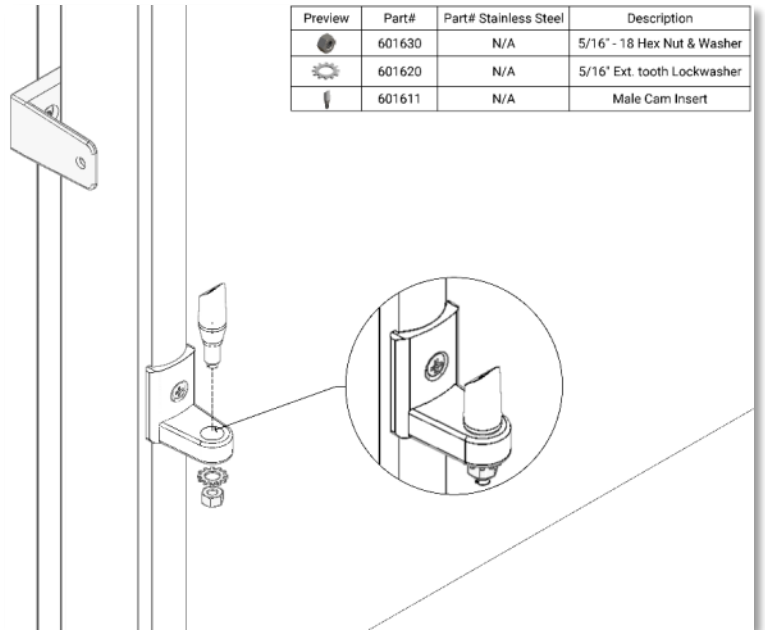
Appendix E-1 – Concealed Hinge (Powder Coated Only)

Fasten lower hinge to pilaster.



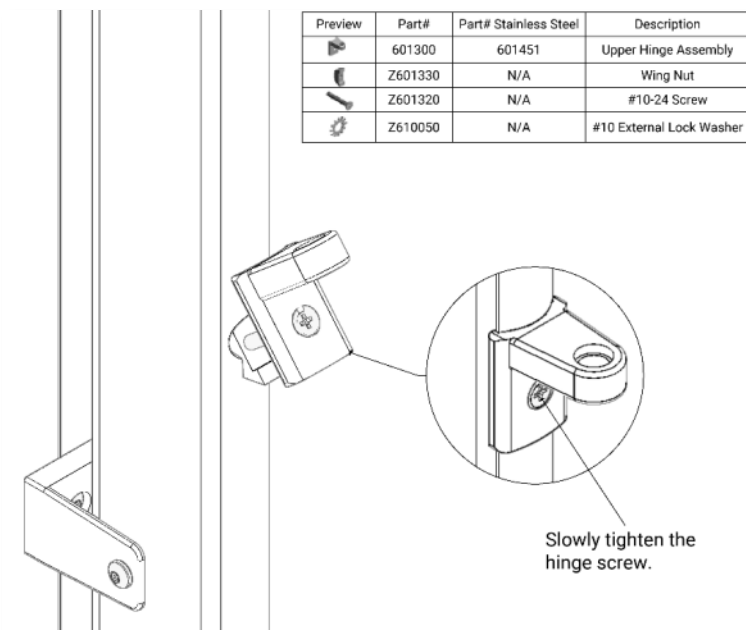
Appendix E-2 – Concealed Hinge (Powder Coated Only)

Install and fasten the male cam to lower hinge.



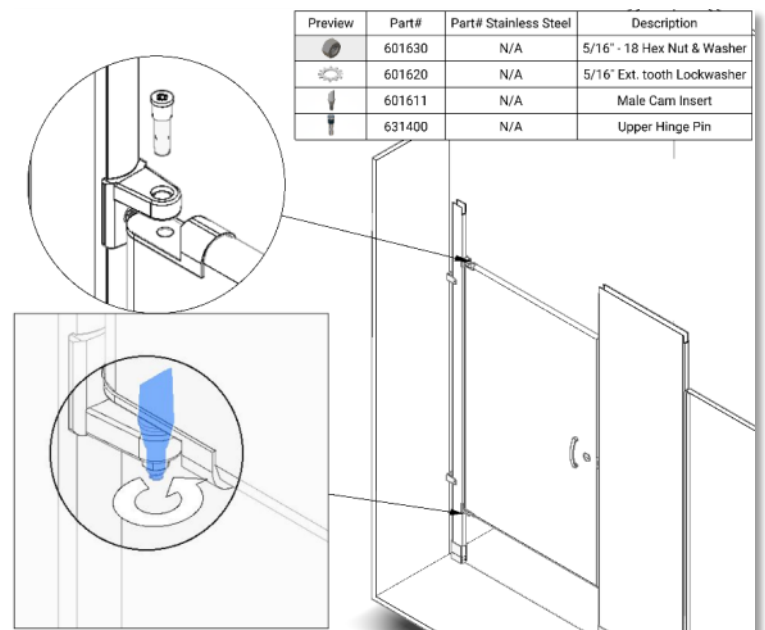
Appendix E-3 – Concealed Hinge (Powder Coated Only)

Fasten the upper hinge to pilaster



Appendix E-4 – Concealed Hinge (Powder Coated Only)

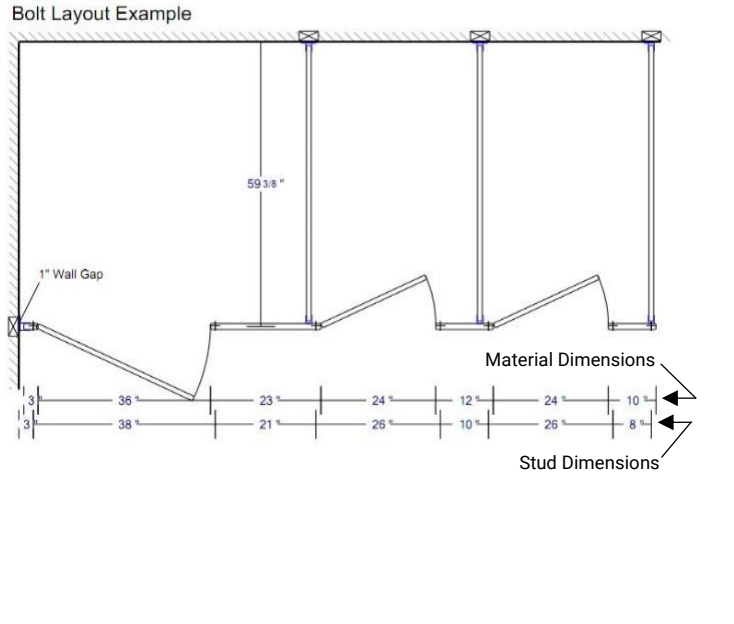
Fasten the upper hinge to pilaster



Installation Manual for Metal Toilet Partitions – Elite, Elite Plus & Elite Max Series

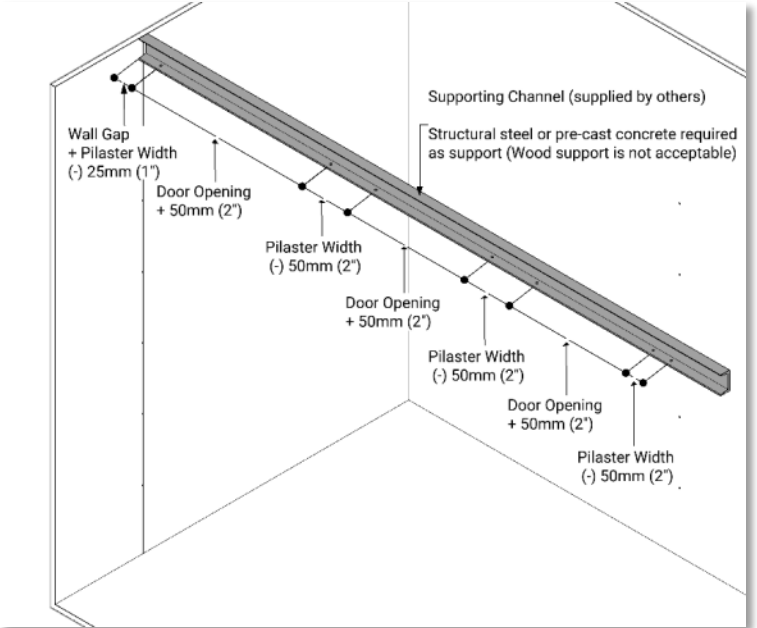
Appendix F-1 - Ceiling Hung Pilaster Establish Ceiling Stud Locations

Establish front centerline by taking the overall compartment dimension and deducting 16mm (5/8"). Use final layout drawings to determine locations.



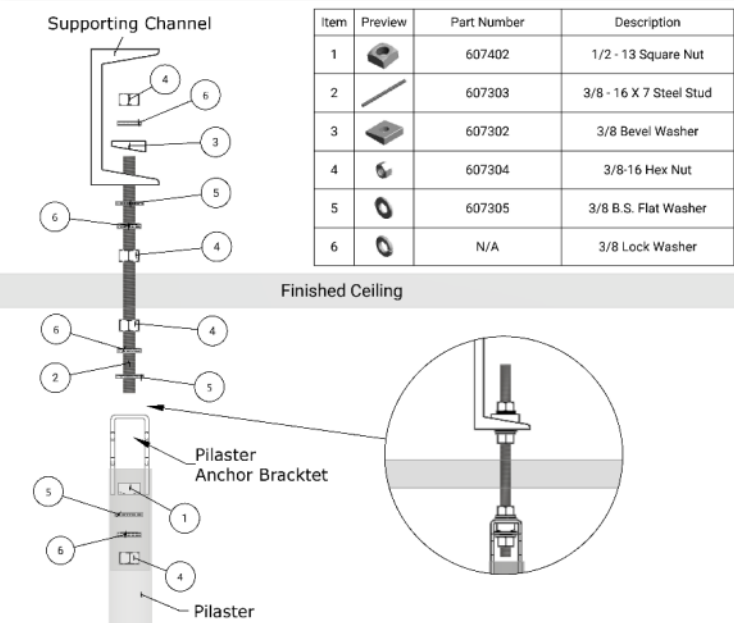
Appendix F-2 - Ceiling Hung Pilaster Establish Ceiling Stud Locations

Drill holes for ceiling studs 25mm (1") in from edge of pilaster locations as indicated on layout drawings.



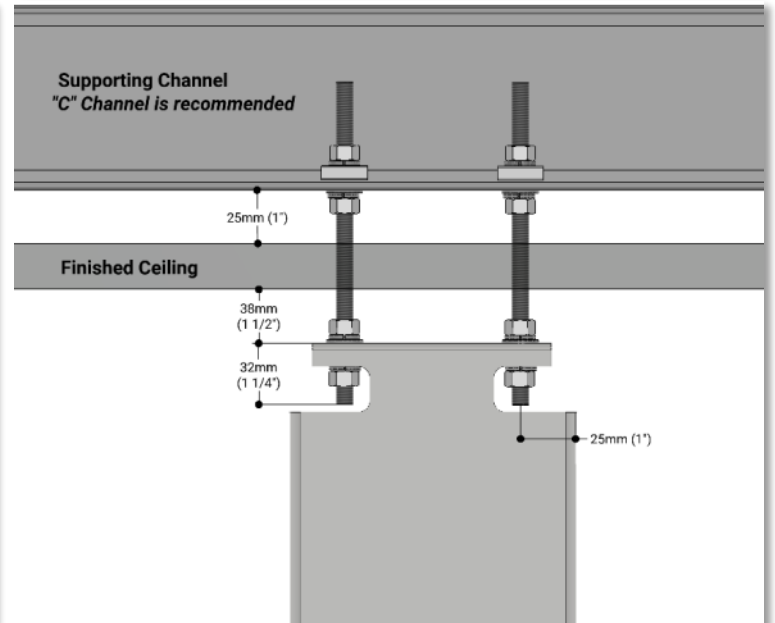
Appendix F-3 - Ceiling Hung Pilaster – Erect Pilaster

Install ceiling stud hardware.



Appendix F-4 - Ceiling Hung Pilaster – Erect Pilaster

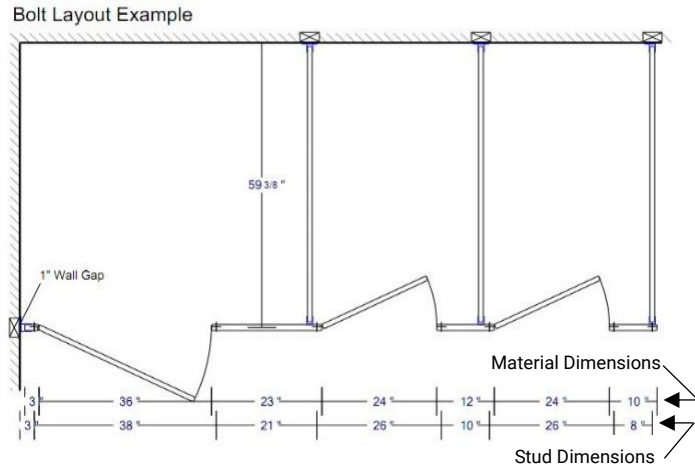
Position pilaster on ceiling studs, plumb and tighten. Hadrian recommends the supporting channel should be 25mm (1") above the finished ceiling.



Installation Manual for Metal Toilet Partitions – Elite, Elite Plus & Elite Max Series

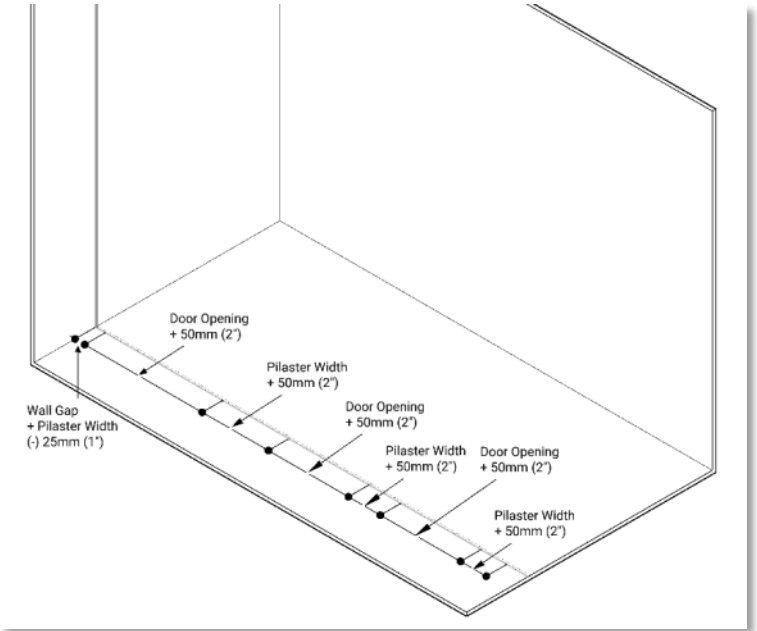
Appendix G-1 - Floor Mounted Pilasters Establish Floor Stud Locations

Establish front centerline by taking the overall compartment dimension and deducting 16mm (5/8"). Use final layout drawings to determine locations.



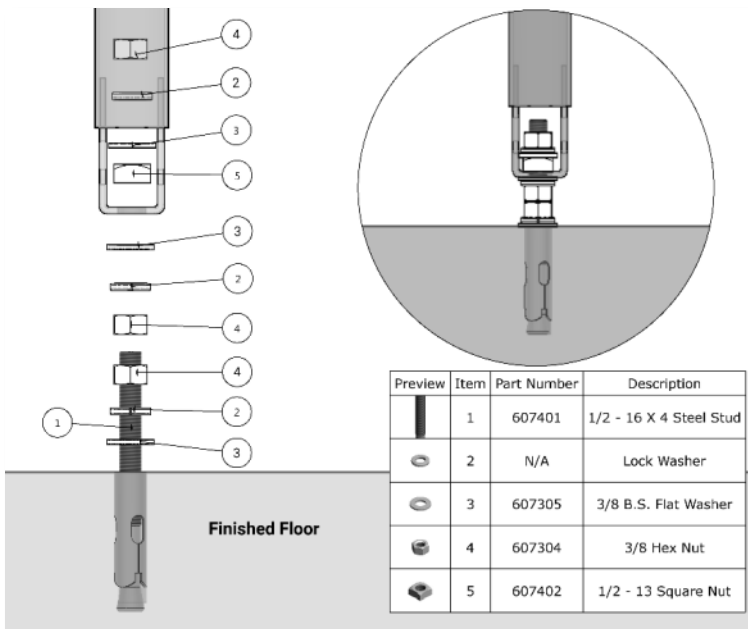
Appendix G-2 - Floor Mounted Pilasters Establish Floor Stud Locations

Drill 57mm (2 1/4") deep holes for floor studs and position 25mm (1") in from edge of pilaster locations as indicated on layout drawings.



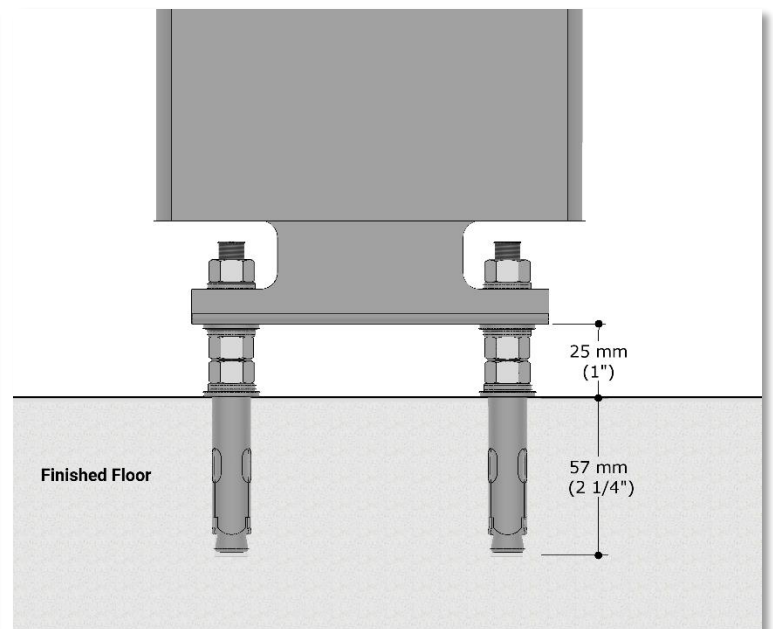
Appendix G-3 - Floor Mount Pilasters – Erect Pilaster

Install floor stud hardware.



Appendix G-4 - Floor Mount Pilasters – Erect Pilaster

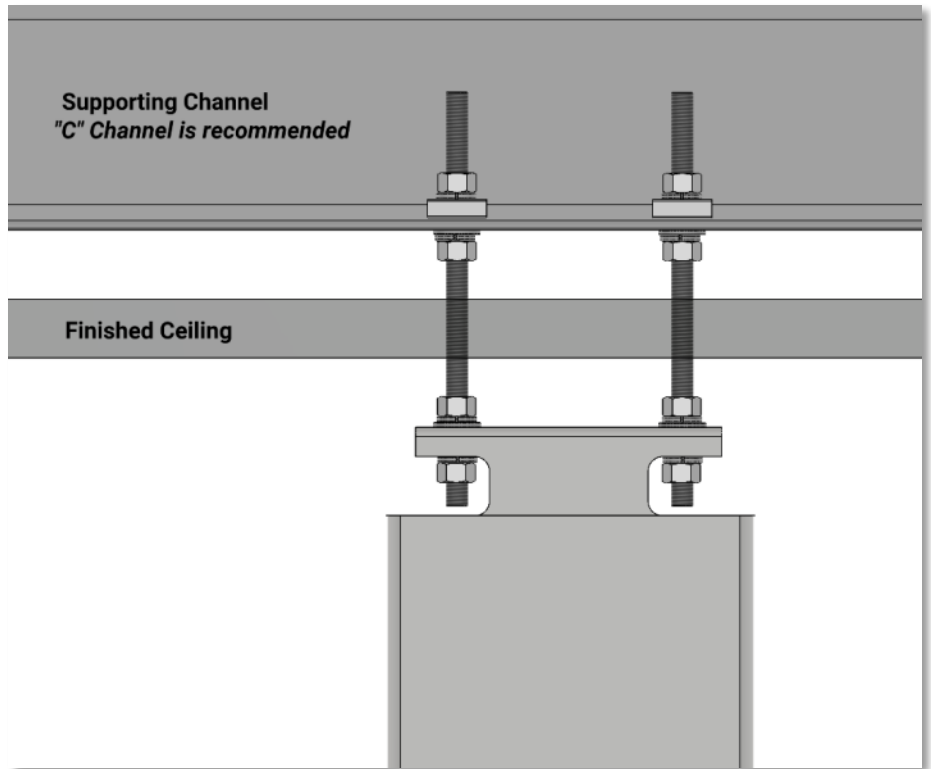
Position pilaster on floor studs 25mm (1") above finished floor, plumb and tighten.



Installation Manual for Metal Toilet Partitions – Elite, Elite Plus & Elite Max Series

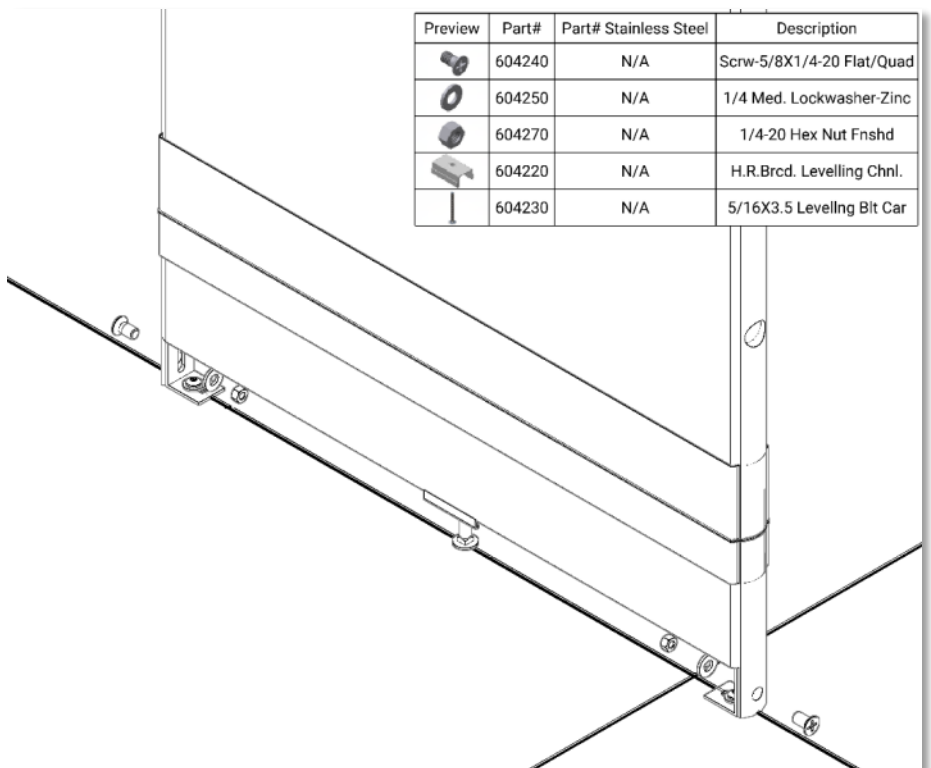
Appendix H-1 - Floor to Ceiling Pilaster Ceiling Connection

Follow Appendix F-1 to F-4 for ceiling connection instructions.



Appendix H-2 - Floor to Ceiling Pilaster Floor Connection

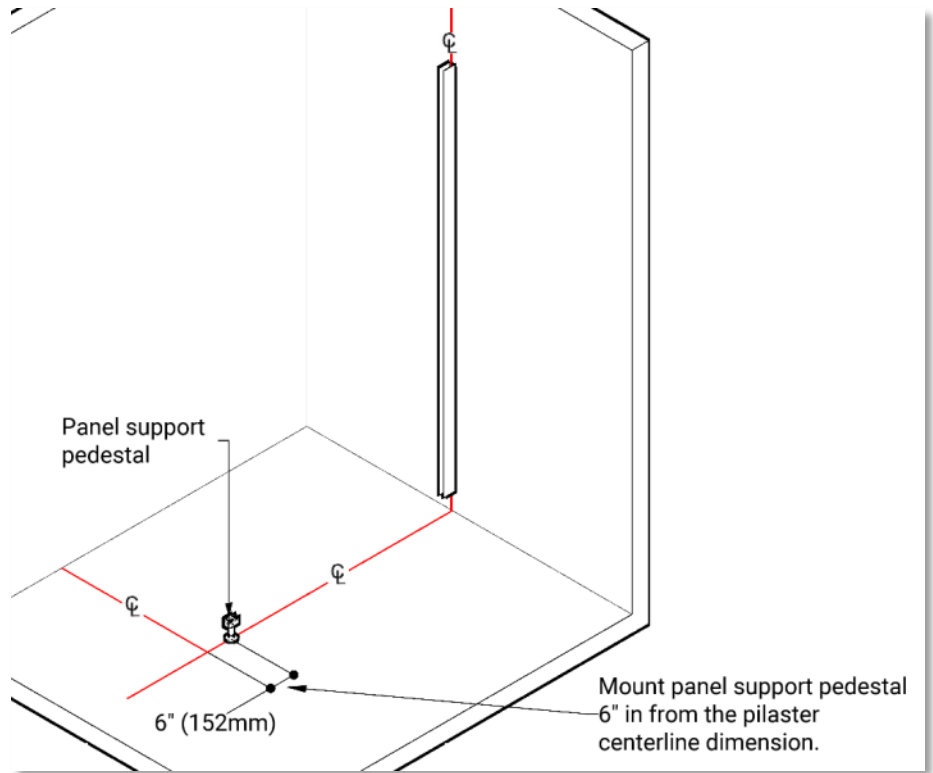
Follow Steps 1, 2 and 7 for floor connection instructions



Installation Manual for Metal Toilet Partitions – Elite, Elite Plus & Elite Max Series

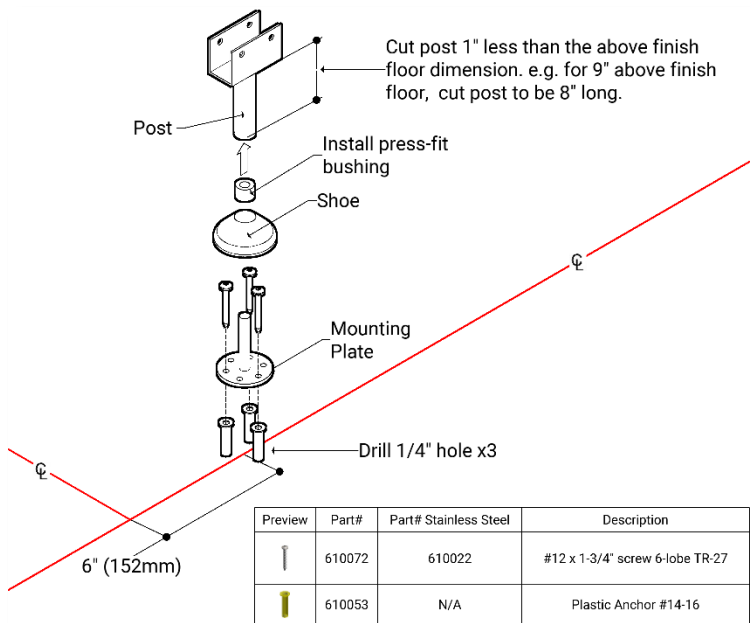
Appendix I-1 – Panel Support Pedestal

Establish the panel support pedestal centerline by taking the pilaster centerline dimension and subtract 152mm (6").



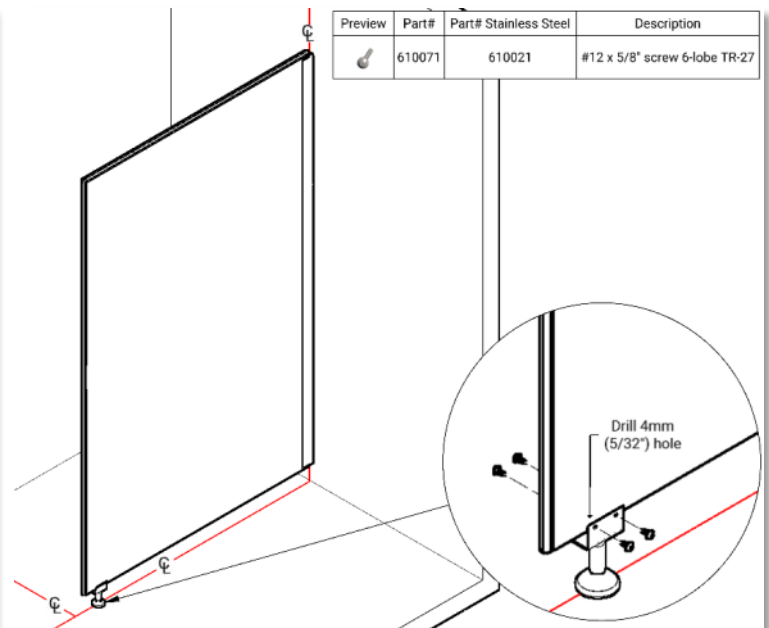
Appendix I-2 – Panel Support Pedestal

Fasten mounting plate to floor, measure and cut post, install press-fit bushing, place shoe over mounting plate and screw the post on to the mounting plate.

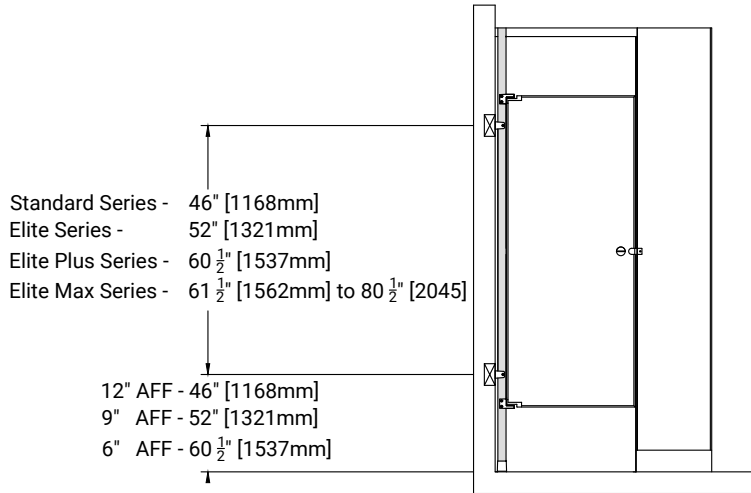


Appendix I-3 – Panel Support Pedestal

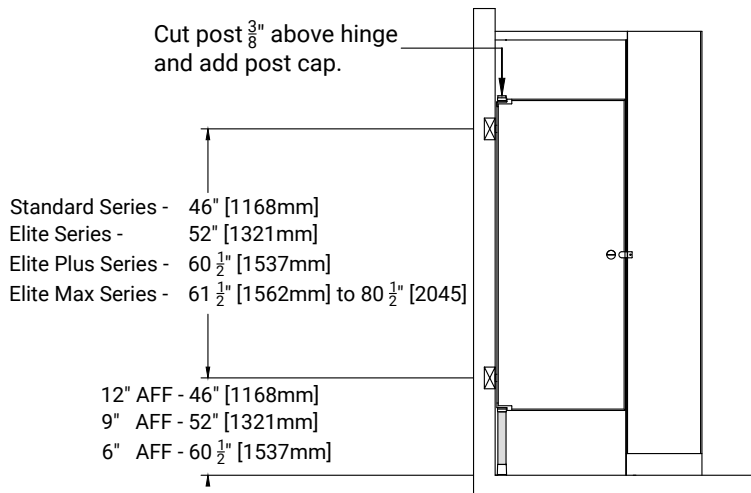
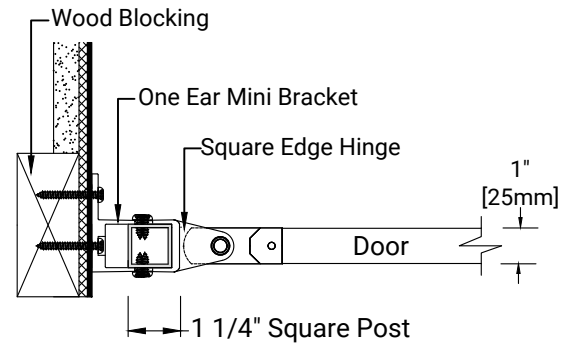
Adjust panel support pedestal to desired height and fasten panel to the pedestal post.



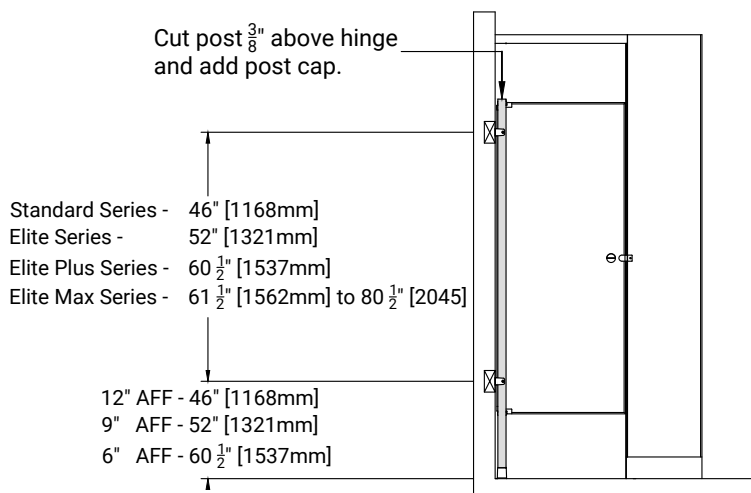
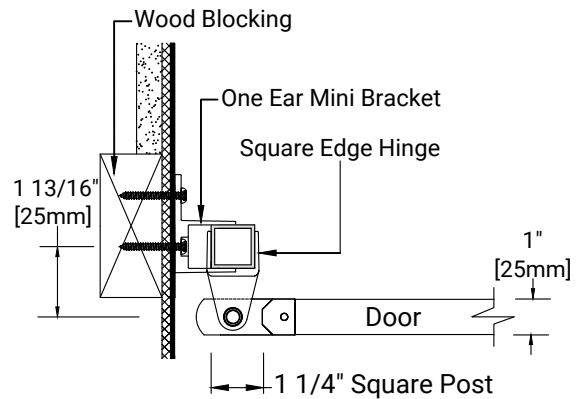
Installation Manual for Metal Toilet Partitions – Elite, Elite Plus & Elite Max Series



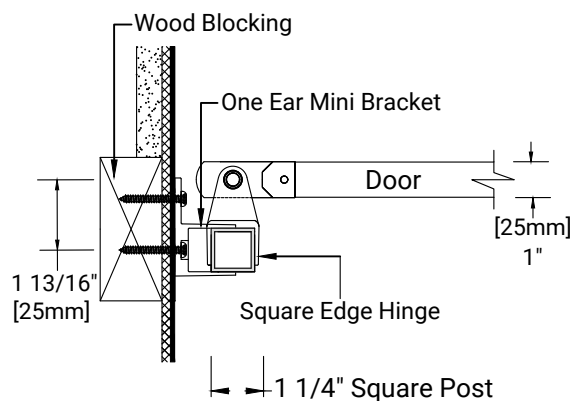
In-Line Mounted Post



Rear Mounted Post

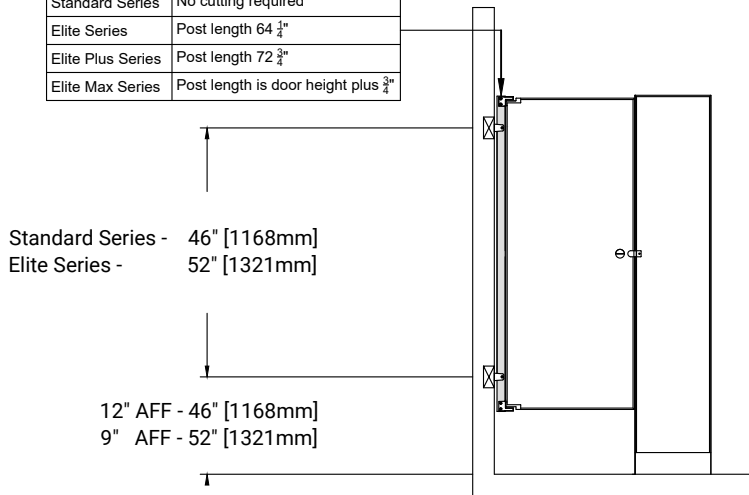


Front Mounted Post

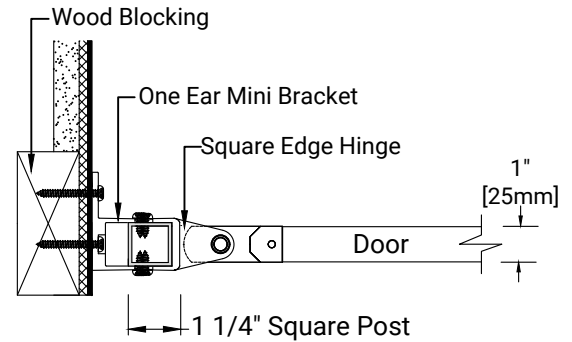


Installation Manual for Metal Toilet Partitions – Elite, Elite Plus & Elite Max Series

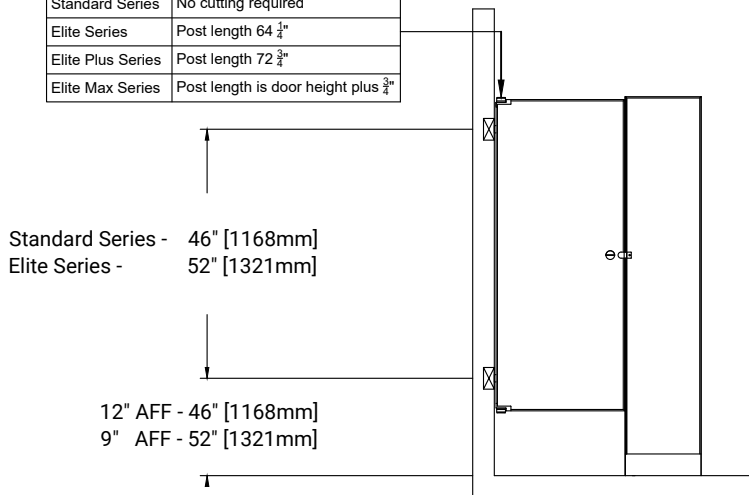
Post Length Cutting Chart	
Standard Series	No cutting required
Elite Series	Post length 64 1/4"
Elite Plus Series	Post length 72 3/4"
Elite Max Series	Post length is door height plus 3/4"



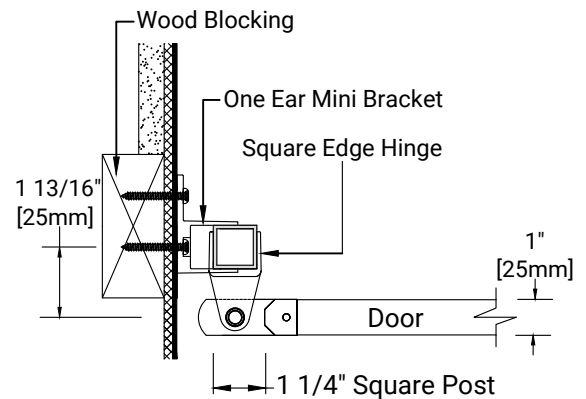
In-Line Mounted Post



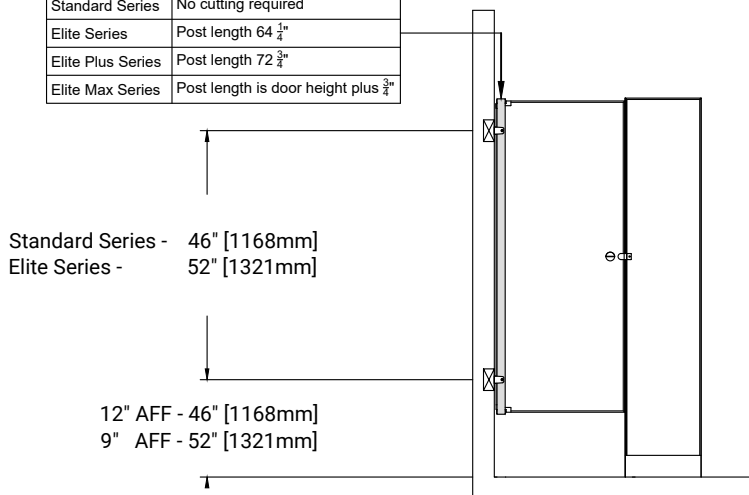
Post Length Cutting Chart	
Standard Series	No cutting required
Elite Series	Post length 64 1/4"
Elite Plus Series	Post length 72 3/4"
Elite Max Series	Post length is door height plus 3/4"



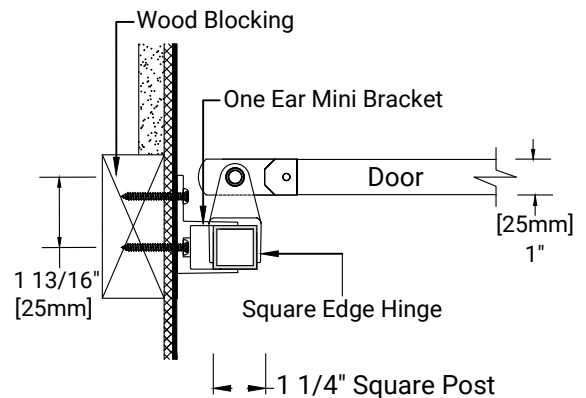
Rear Mounted Post



Post Length Cutting Chart	
Standard Series	No cutting required
Elite Series	Post length 64 1/4"
Elite Plus Series	Post length 72 3/4"
Elite Max Series	Post length is door height plus 3/4"



Front Mounted Post

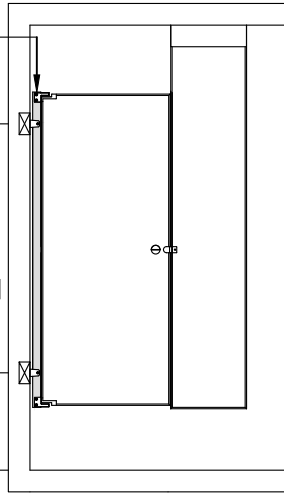


Installation Manual for Metal Toilet Partitions – Elite, Elite Plus & Elite Max Series

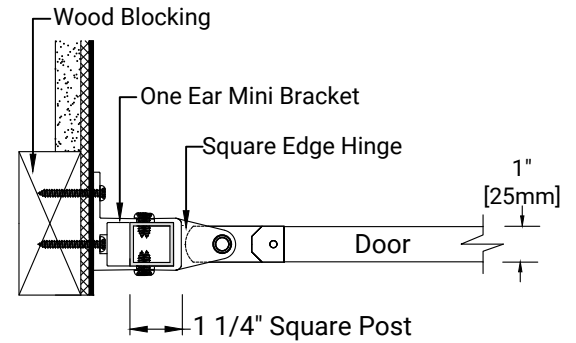
Post Length Cutting Chart	
Standard Series	No cutting required
Elite Series	Post length 64 1/4"
Elite Plus Series	Post length 72 3/4"
Elite Max Series	Post length is door height plus 3/8"

Standard Series - 46" [1168mm]
 Elite Series - 52" [1321mm]
 Elite Plus Series - 60 1/2" [1537mm]
 Elite Max Series - 61 1/2" [1562mm] to 80 1/2" [2045]

12" AFF - 46" [1168mm]
 9" AFF - 52" [1321mm]
 6" AFF - 60 1/2" [1537mm]



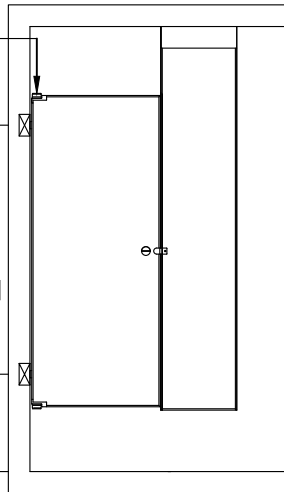
In-Line Mounted Post



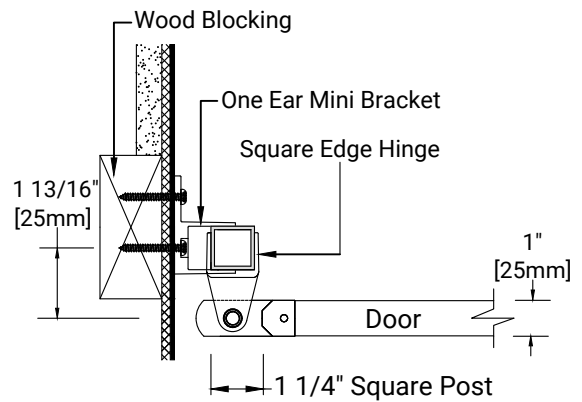
Post Length Cutting Chart	
Standard Series	No cutting required
Elite Series	Post length 64 1/4"
Elite Plus Series	Post length 72 3/4"
Elite Max Series	Post length is door height plus 3/8"

Standard Series - 46" [1168mm]
 Elite Series - 52" [1321mm]
 Elite Plus Series - 60 1/2" [1537mm]
 Elite Max Series - 61 1/2" [1562mm] to 80 1/2" [2045]

12" AFF - 46" [1168mm]
 9" AFF - 52" [1321mm]
 6" AFF - 60 1/2" [1537mm]



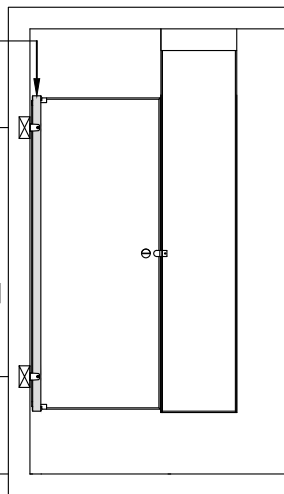
Rear Mounted Post



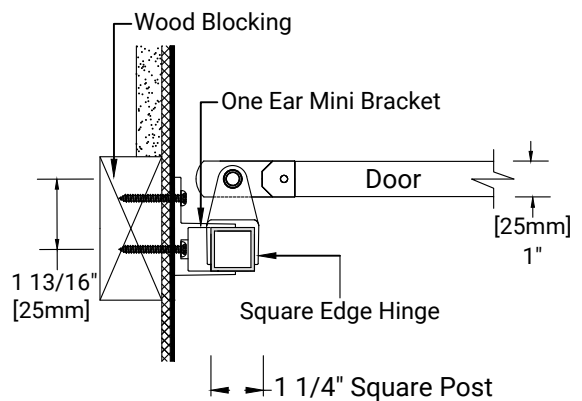
Post Length Cutting Chart	
Standard Series	No cutting required
Elite Series	Post length 64 1/4"
Elite Plus Series	Post length 72 3/4"
Elite Max Series	Post length is door height plus 3/8"

Standard Series - 46" [1168mm]
 Elite Series - 52" [1321mm]
 Elite Plus Series - 60 1/2" [1537mm]
 Elite Max Series - 61 1/2" [1562mm] to 80 1/2" [2045]

12" AFF - 46" [1168mm]
 9" AFF - 52" [1321mm]
 6" AFF - 60 1/2" [1537mm]



Front Mounted Post

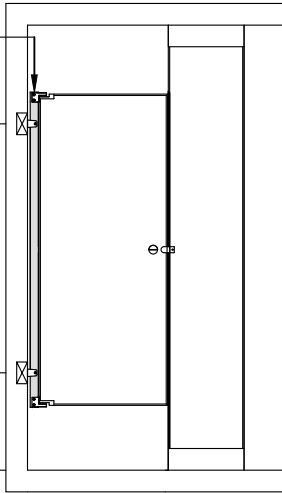


Installation Manual for Metal Toilet Partitions – Elite, Elite Plus & Elite Max Series

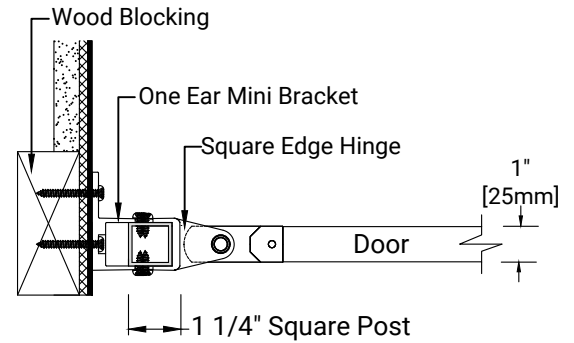
Post Length Cutting Chart	
Standard Series	No cutting required
Elite Series	Post length 64 1/4"
Elite Plus Series	Post length 72 3/4"
Elite Max Series	Post length is door height plus 3/4"

- Standard Series - 46" [1168mm]
- Elite Series - 52" [1321mm]
- Elite Plus Series - 60 1/2" [1537mm]
- Elite Max Series - 61 1/2" [1562mm] to 80 1/2" [2045]

- 12" AFF - 46" [1168mm]
- 9" AFF - 52" [1321mm]
- 6" AFF - 60 1/2" [1537mm]



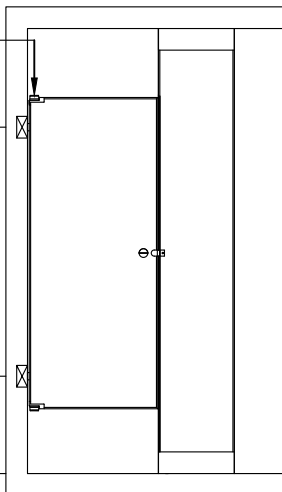
In-Line Mounted Post



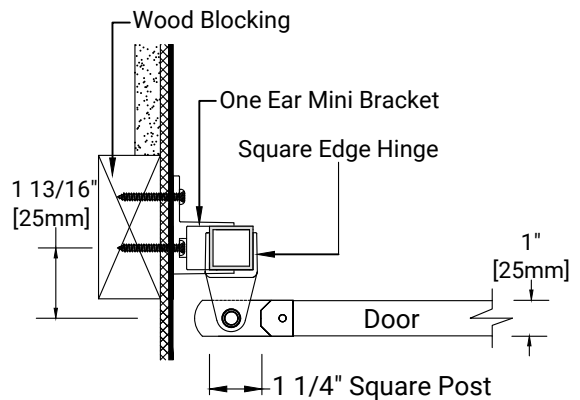
Post Length Cutting Chart	
Standard Series	No cutting required
Elite Series	Post length 64 1/4"
Elite Plus Series	Post length 72 3/4"
Elite Max Series	Post length is door height plus 3/4"

- Standard Series - 46" [1168mm]
- Elite Series - 52" [1321mm]
- Elite Plus Series - 60 1/2" [1537mm]
- Elite Max Series - 61 1/2" [1562mm] to 80 1/2" [2045]

- 12" AFF - 46" [1168mm]
- 9" AFF - 52" [1321mm]
- 6" AFF - 60 1/2" [1537mm]



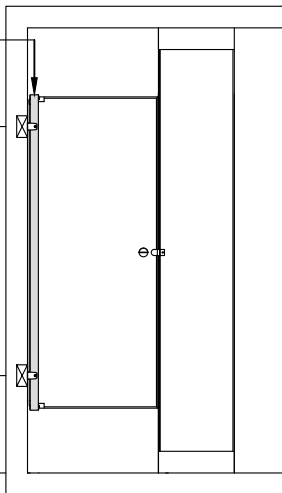
Rear Mounted Post



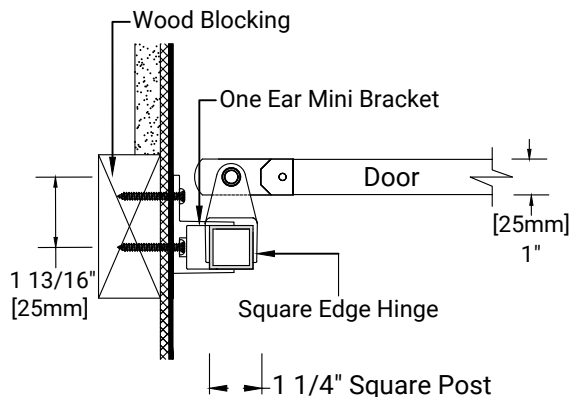
Post Length Cutting Chart	
Standard Series	No cutting required
Elite Series	Post length 64 1/4"
Elite Plus Series	Post length 72 3/4"
Elite Max Series	Post length is door height plus 3/4"

- Standard Series - 46" [1168mm]
- Elite Series - 52" [1321mm]
- Elite Plus Series - 60 1/2" [1537mm]
- Elite Max Series - 61 1/2" [1562mm] to 80 1/2" [2045]

- 12" AFF - 46" [1168mm]
- 9" AFF - 52" [1321mm]
- 6" AFF - 60 1/2" [1537mm]



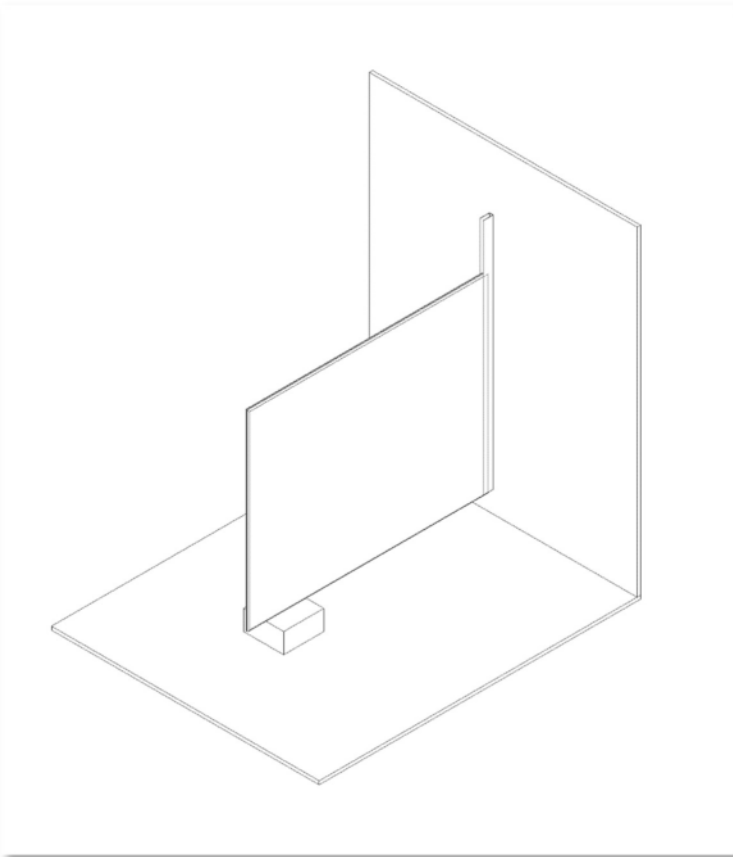
Front Mounted Post



Installation Manual for Metal Toilet Partitions – Elite, Elite Plus & Elite Max Series

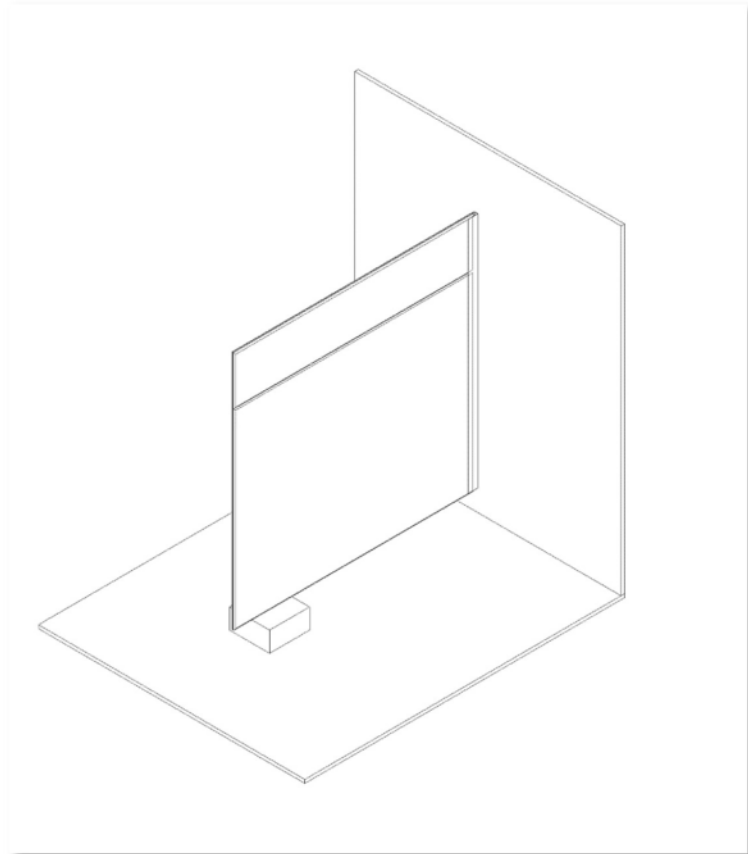
Appendix N-1 – Transom Panel

Follow steps 1-3 on pages 4-6. Place bottom panel on block, level and fasten to channels.



Appendix N-2 – Transom Panel

Place top panel (transom panel) on top of the bottom panel and fasten to channel.



Series	Bottom Panel Size	Top Panel Size (Transom)	Total Height
Elite	57 ½" High x Depth	6" High x Depth	63 ½"
Elite Plus	57 ½" High x Depth	14 ½" High x Depth	72"
Elite Max	57 ½" High x Depth	15 ½" – 34 ½" High x Depth	73" – 92"