



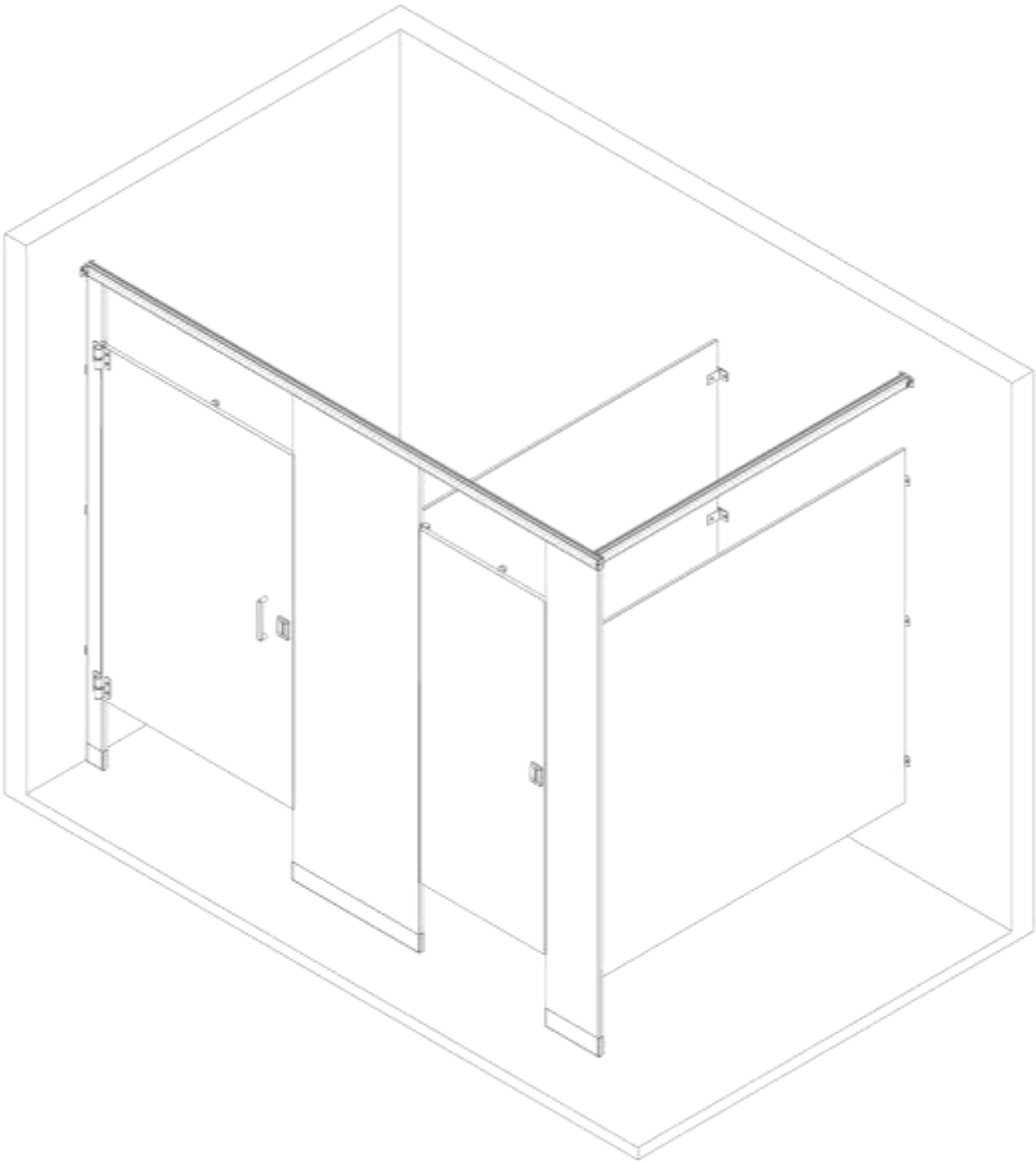
Partition Stalls

Installation Manual for Metal Toilet Partitions Phenolic

 646-453-4564

 info@partitionstalls.com

 www.partitionstalls.com



| Table of Contents | Page |
|--|-------------|
| General Notes and Tools Required_____ | 3 |
| STEP 1: Establish Floor Bracket Locations_____ | 4 |
| STEP 2: Fasten Anchor Shoes_____ | 4 |
| STEP 3: Erect Panels_____ | 5 |
| STEP 4: Erect Wall Pilaster_____ | 6 - 7 |
| STEP 5: Install Hinges on Door & Pilasters_____ | 7 - 9 |
| STEP 6: Latch Installation_____ | 9 - 10 |
| STEP 7: Door Pull Installation_____ | 10 |
| STEP 8: Coat Hook Installation_____ | 10 |
| STEP 9: Erect Remaining Compartments_____ | 11 |
| STEP 10: Secure Headrail Brackets_____ | 11 |
| STEP 11: Place Headrail_____ | 12 - 13 |
| Appendix A: Alcove Units_____ | 14 |
| Appendix B: Continuous Channels_____ | 14 - 16 |
| Appendix C: Ceiling Hung Pilaster_____ | 17 |
| Appendix D: Floor Mount Pilaster_____ | 18 |
| Appendix E: Floor to Ceiling Pilaster_____ | 19 |
| Appendix F: Pedestal Mount_____ | 20 |
| Appendix G: Elite Plus & Elite Max Hinge Detail_____ | 21 |
| Appendix H: Wall Mounted Pilaster (Flat Stop)_____ | 22 |
| Appendix I: Elite Plus Blocking Heights_____ | 23 |
| Appendix J: Elite Max Blocking Heights_____ | 24 |

General Notes

The following installation instructions are based on headrail braced compartments in the most common unit arrangement. Other arrangements will be encountered, i.e. units contained between two walls or between two free-standing panels. For details on ceiling hung and floor to ceiling connections, refer to the appendix. Always adhere to applicable building codes.

Ceiling hung and floor to ceiling toilet partitions require an overhead structural member (normally a channel). This member is supplied, installed, and drilled by others. Stud assemblies are available from Hadrian, but Hadrian does not install them. Stud assemblies should be in place prior to application of finished ceiling.

FINAL LAYOUT DRAWINGS. For dimensional information, refer to your plan layout and dimensional details. Note in particular the relationship of the panels to the pilasters (panels do not necessarily fall on the center line of the pilaster).

Recommended Safety Equipment

Safety Glasses



Safety Gloves



Safety Shoes



Hard Hat



Tools Required

4 ft. level
 Chalk line
 Tape measure
 Drill (Avoid the use of impact drivers on phenolic material)
 Hammer
 Hammer drill
 3/16" (5mm) drill bit with depth collars
 7/32" (6mm) drill bit
 9/32" (7mm) drill bit and masonry drill bit
 11mm (7/16") & 13mm (1/2") wrench
 Hacksaw
 12" (318mm) shim block to rest panels on for easier installation
 6-lobe security driver bits

Installation Manual for Phenolic Toilet Partitions

STEP 1: Establish Floor Bracket Locations

Establish the unit depth centerline by taking the overall compartment dimension and deducting 3/8" (10mm).

Mark panel center (plumb) lines for each unit.

Mark bracket center lines.

Bracket 1 – 458mm (18") from floor

Bracket 2 – 584mm (23") from bracket 1

Bracket 3 – 584mm (23") from bracket 2

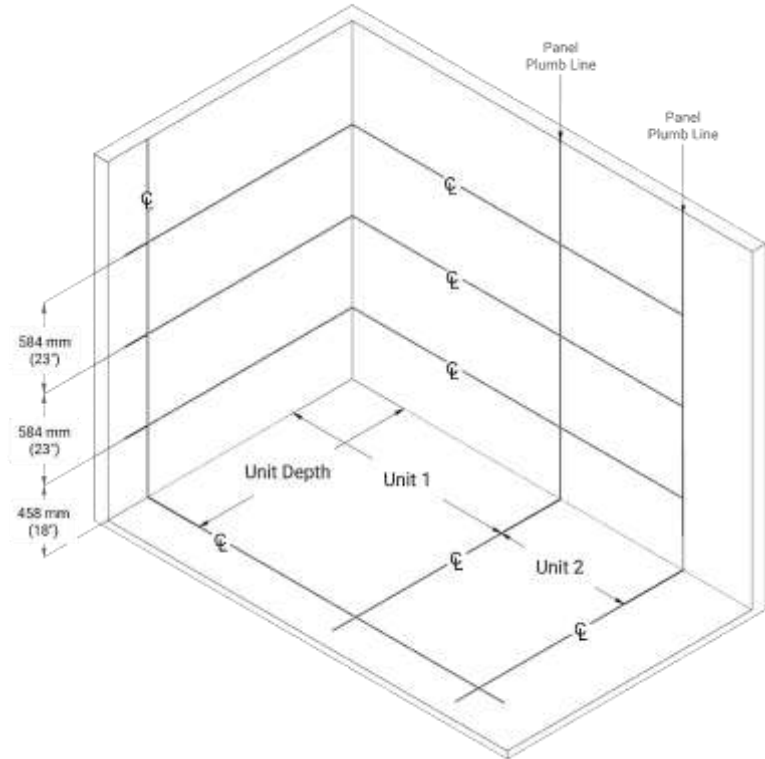
Use final layout drawings and elevations to determine locations.

See page 14 for alcove partitions instructions.

See page 14 - 16 for continuous channel mounting instructions.

See page 22 for elite plus mounting instructions.

See page 23 for elite max mounting instructions.



STEP 2: Fasten Anchor Shoes

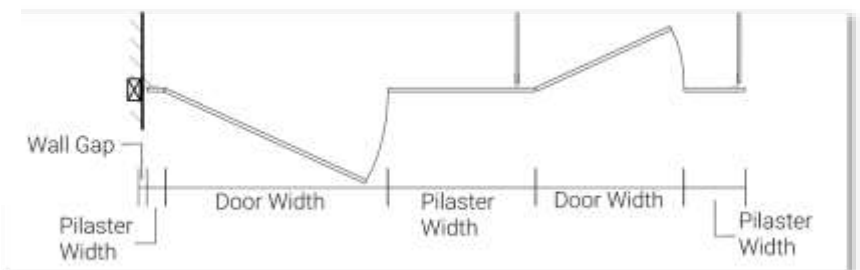
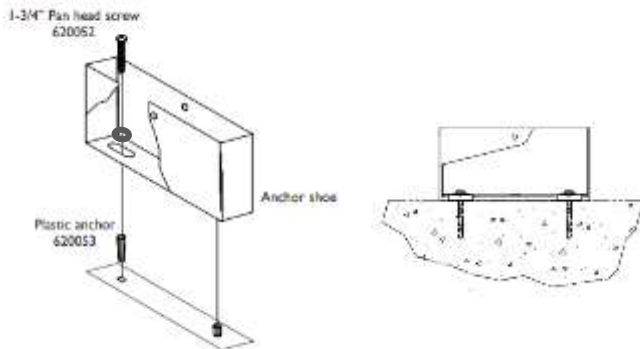
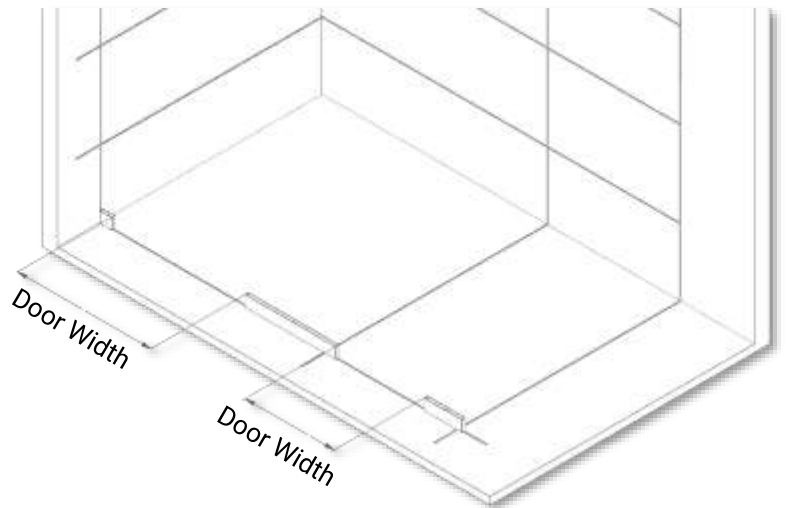
Review layout drawings to locate shoe position.

Measure out wall gap indicated on layout drawing and place shoe on the unit depth center line, mark shoe holes on floor, drill 9/32" (7mm) x 1 3/4" (63mm) deep hole and insert anchors. Once both holes have been drilled and anchors installed, proceed to fasten shoe to the floor with washer and screw.

See page 17 for ceiling hung mounted partition instructions.

See page 18 for floor mounted partition instructions.

See page 19 for floor to ceiling mounted partition instructions.



Installation Manual for Phenolic Toilet Partitions

STEP 3: Erect Panel

Using the centerline locations, fasten all brackets to the wall using 9/32" (7mm) drill bit for wall anchors.

Inside brackets to be used on pilaster to wall connections and corner panel connections.

Two ear brackets to be used on all intermediate panels.

673410 - PH Bracket Inside

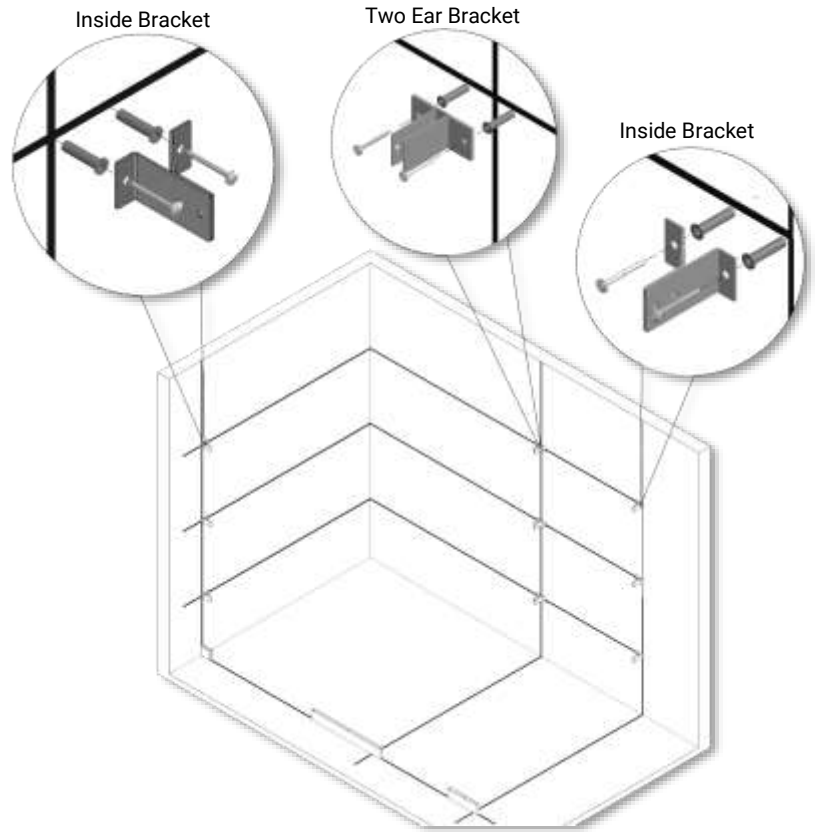
673415 - PH Bracket Two Ear .5"

620054 - 14 x2-1/2" Screw Pan SS TR27

620053 - SP Plastic Anchor #14-16

**Adjust based on masonry lines as necessary*

See page 14 - 16 for continuous channel mounting instructions.



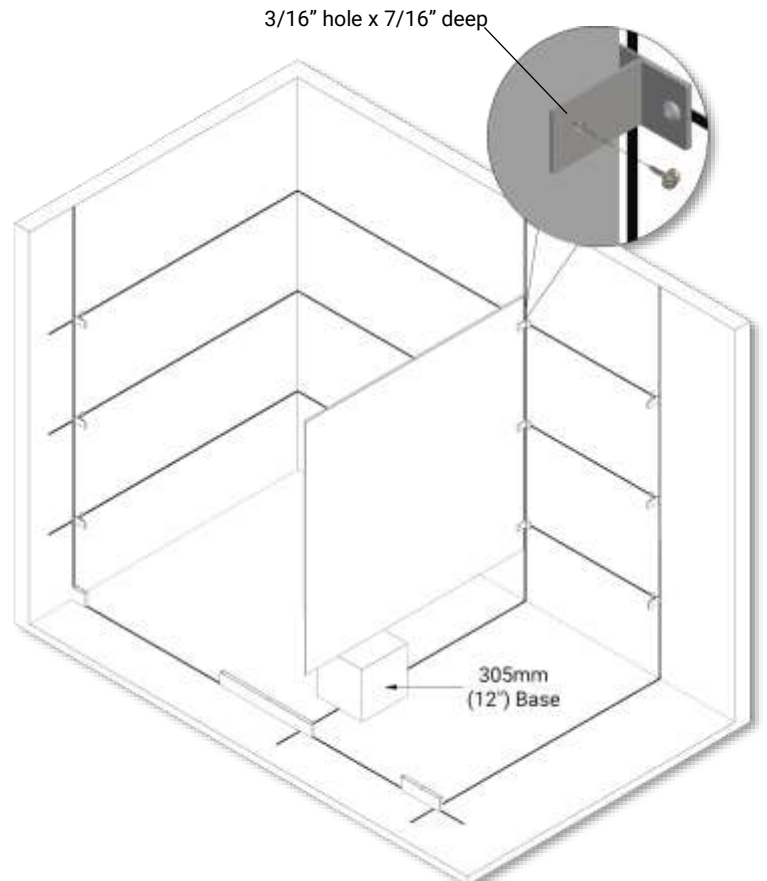
STEP 3.1: Erect Panel

Rest panel on 305mm (12") block and position in brackets. Drill one 3/16" x 7/16" deep hole through top bracket and fasten. Keep panel on stabilizer block until pilaster and all fasteners have been installed.

670050 - Screw #12 x 7/16" 6 Lobe S/S

IMPORTANT NOTE:

Impact drivers are not to be used when installing phenolic partitions. Use a drill on low-speed set on full torque.



Installation Manual for Phenolic Toilet Partitions

STEP 4: Erect Wall Pilaster

Install leveling bolt to protrude 3/4" from the bottom of the pilaster for an 81 1/4" overall pilaster height (adjust as needed). Fasten pilaster to wall bracket and shoe.

620126 - SP Lag Bolt #20 x 1.75" SS (Leveling Bolt)

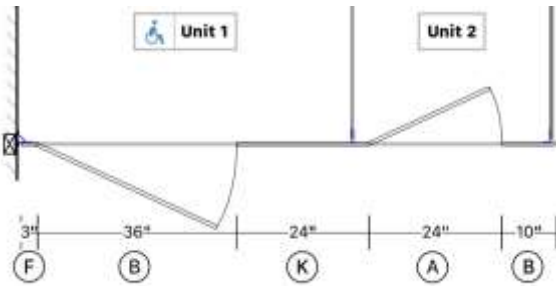
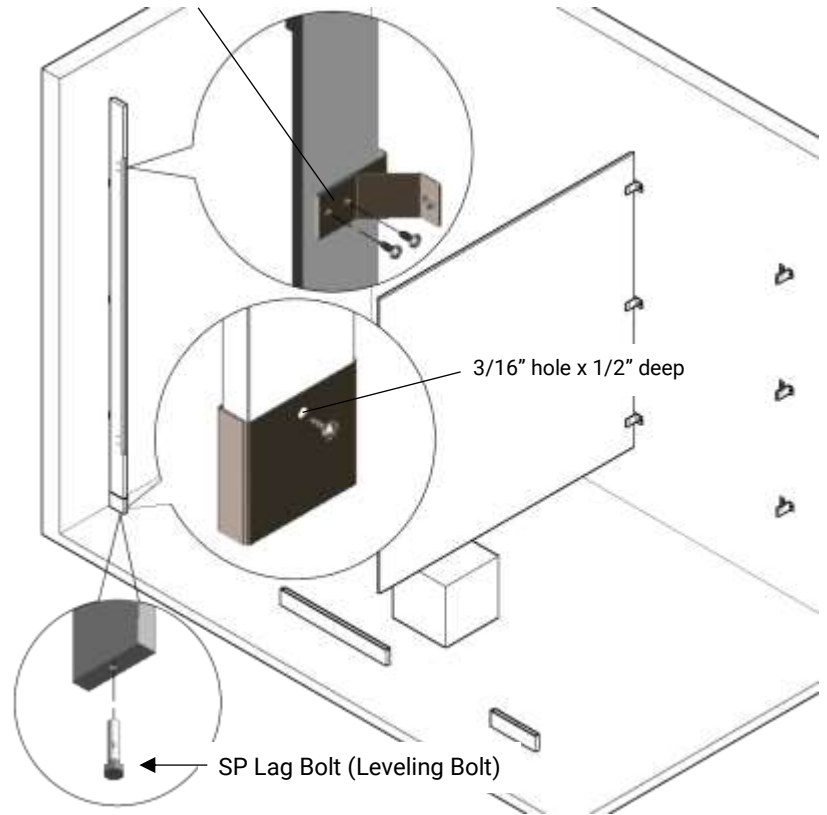
670050 - Screw #12 x 7/16" 6 Lobe S/S

See page 17 & 18 for continuous channel mounting instructions.

IMPORTANT NOTE:

Impact drivers are not to be used when installing phenolic partitions. Use a drill on low-speed set on full torque.

3/16" hole x 1/2" deep



STEP 4.1: Erect Intermediate Pilaster

Place pilaster in anchor shoe, set pilaster height using leveling bolt, mark centerline of panel and mark center lines of brackets. Remove pilaster and fasten U brackets to the pilaster by predrilling 3/16" hole x 1/2" deep.

Bracket 1 – 458mm (18") from floor

Bracket 2 – 584mm (23") from bracket 1

Bracket 3 – 584mm (23") from bracket 2

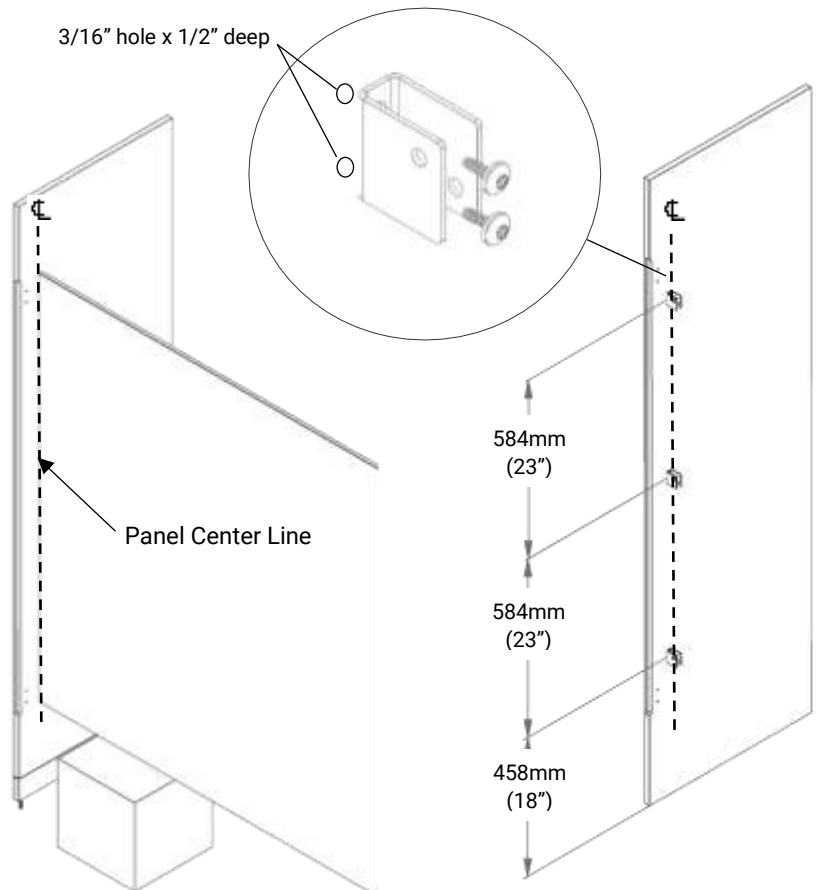
673420 – PH Bracket U .5"

670050 - Screw #12 x 7/16" 6 Lobe S/S

IMPORTANT NOTE:

Impact drivers are not to be used when installing phenolic partitions. Use a drill on low-speed set on full torque.

3/16" hole x 1/2" deep



Installation Manual for Phenolic Toilet Partitions

STEP 4.2: Erect Intermediate Pilaster

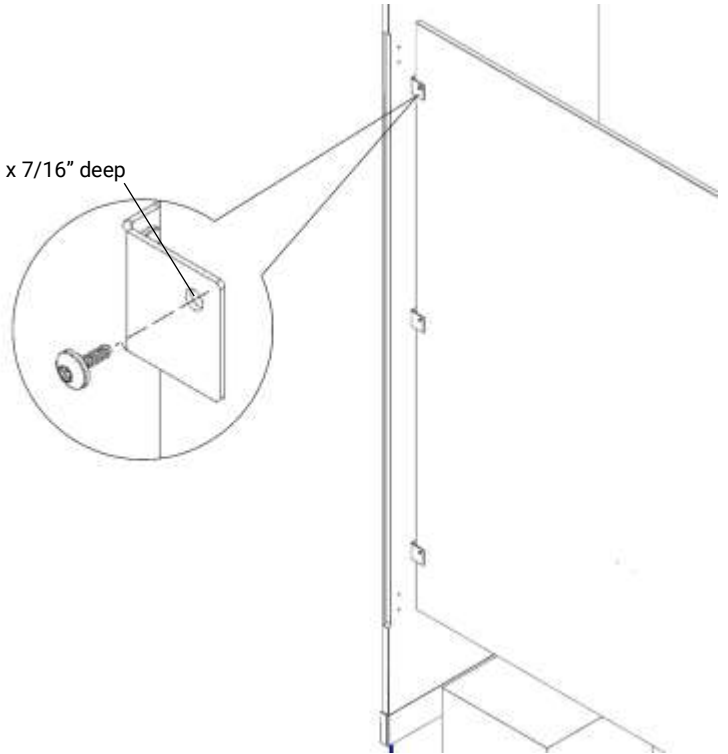
Plumb panel and pilaster. Secure panel to the pilaster "U" brackets by predrilling a 3/16" hole x 7/16" deep into the panel and fasten.

670050 - Screw #12 x 7/16" 6 Lobe S/S

IMPORTANT NOTE:

Impact drivers are not to be used when installing phenolic partitions. Use a drill on low-speed set on full torque.

3/16" hole x 7/16" deep



STEP 5: Install Hinges on Door and Pilaster

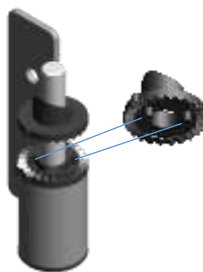
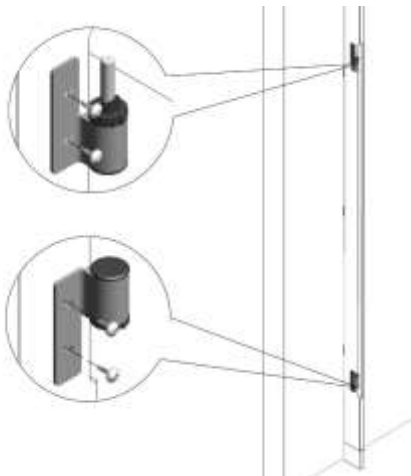
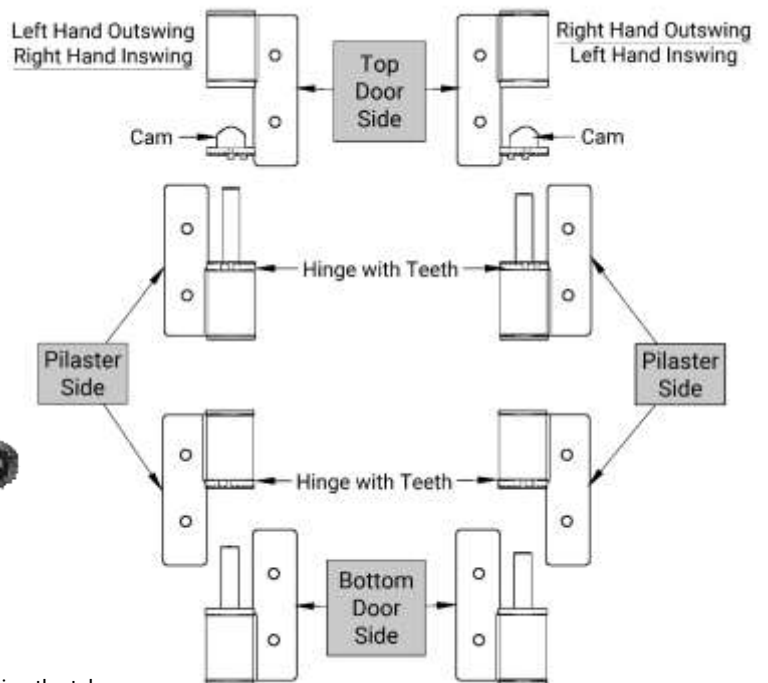
Separate the hinge leaves and set up hinge assemblies according to the hinge diagram. Fasten the pilaster side hinges to the pilaster, using the predrilled hinge holes.

670051 - Screw #12 x 0.70" 6 Lobe S/S

See page 21 for Elite Plus and Elite Max Hinge detail.

IMPORTANT NOTE:

Impact drivers are not to be used when installing phenolic partitions. Use a drill on low-speed set on full torque.



Install hinge cam by aligning the tabs on the cam to the slots on the hinge.

Installation Manual for Phenolic Toilet Partitions

STEP 5.1: Prepare Door for Hinge

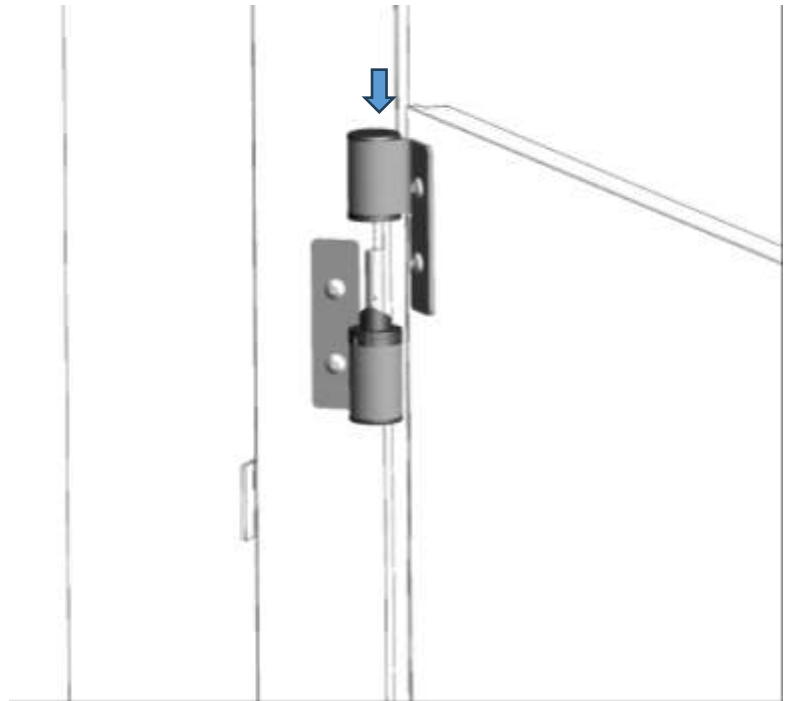
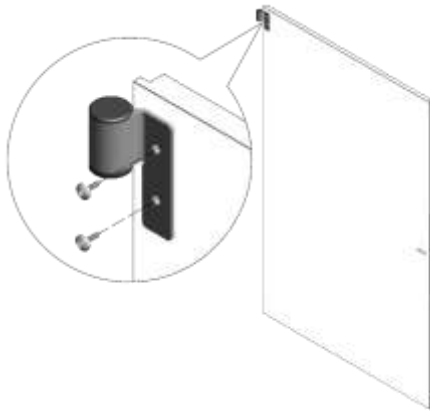
Install and fasten the upper door hinge leaf, using the predrilled hinge holes on the door.

Lift door and place onto pilaster upper hinge.

670051 – Screw #12 x 0.70" 6 Lobe S/S

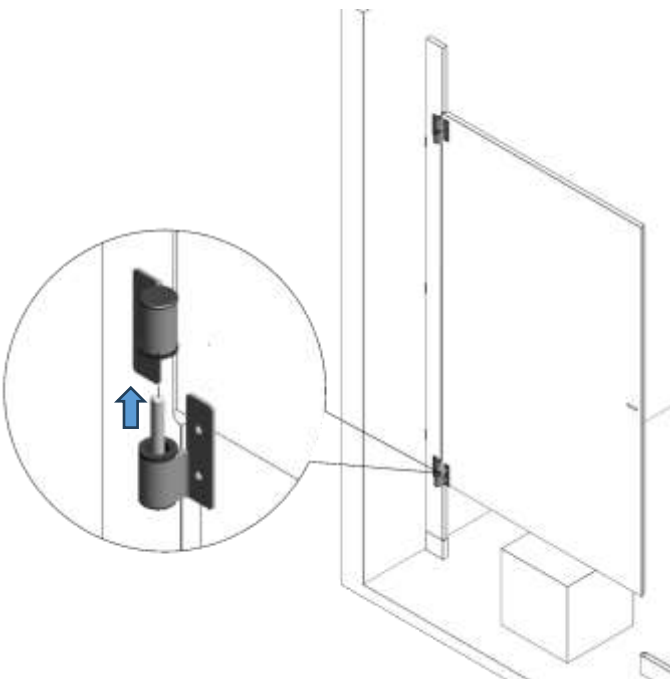
IMPORTANT NOTE:

Impact drivers are not to be used when installing phenolic partitions. Use a drill on low-speed set on full torque.



STEP 5.2: Prep Door for Hinge

Install hinge pin to lower door hinge leaf. Line up the lower door hinge leaf, using the predrilled hinge holes on the door.



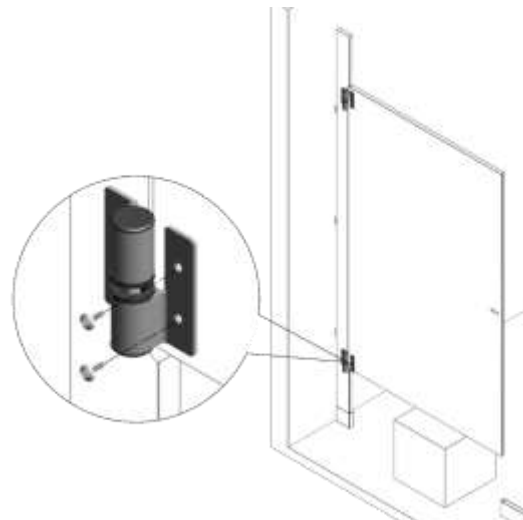
STEP 5.3: Prep Door for Hinge

Fasten the lower door hinge leaf.

670051 – Screw #12 x 0.70" 6 Lobe S/S

IMPORTANT NOTE:

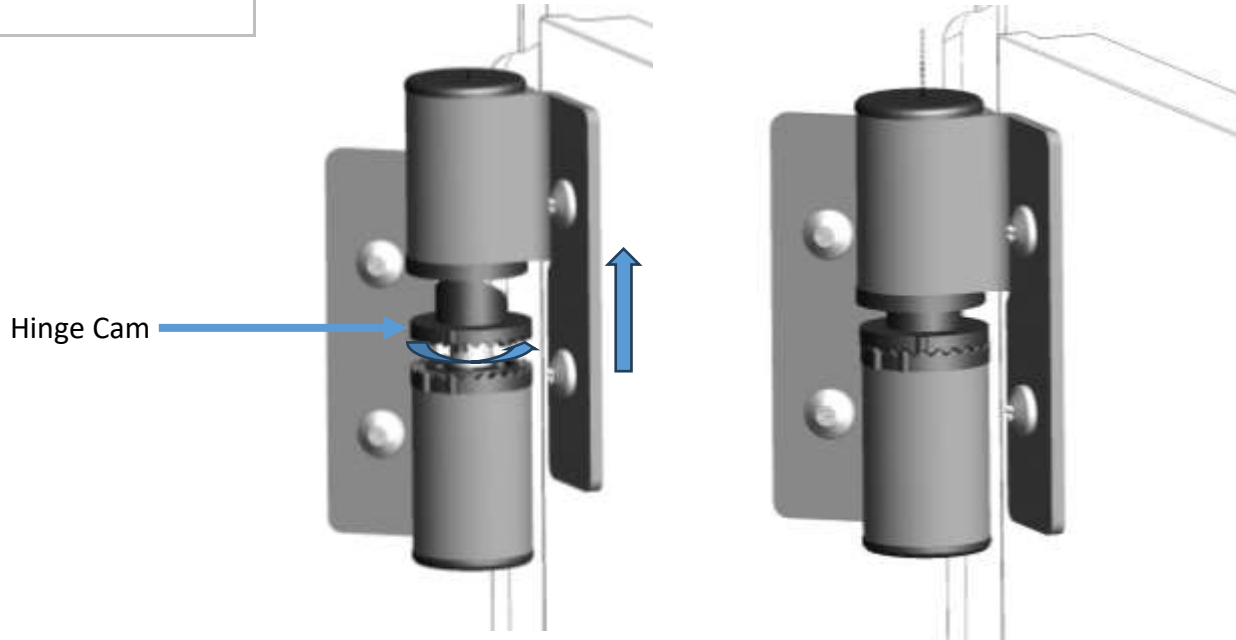
Impact drivers are not to be used when installing phenolic partitions. Use a drill on low-speed set on full torque.



Installation Manual for Phenolic Toilet Partitions

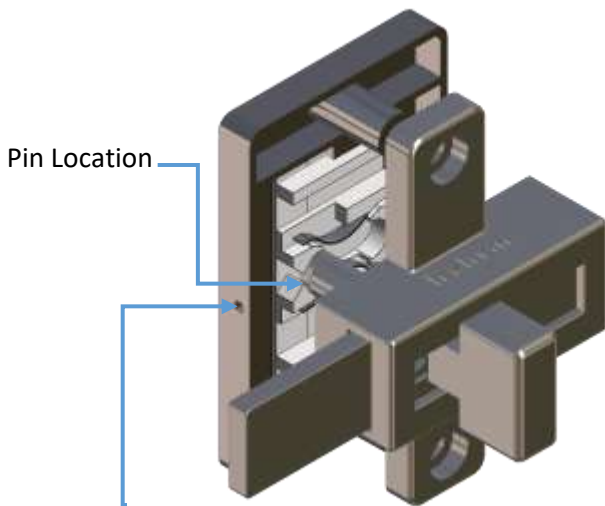
STEP 5.4: Adjust Hinge Cam

To adjust the door opening, lift the door and turn the hinge cam to the left or right to adjust the door to be fully closed or partially open.

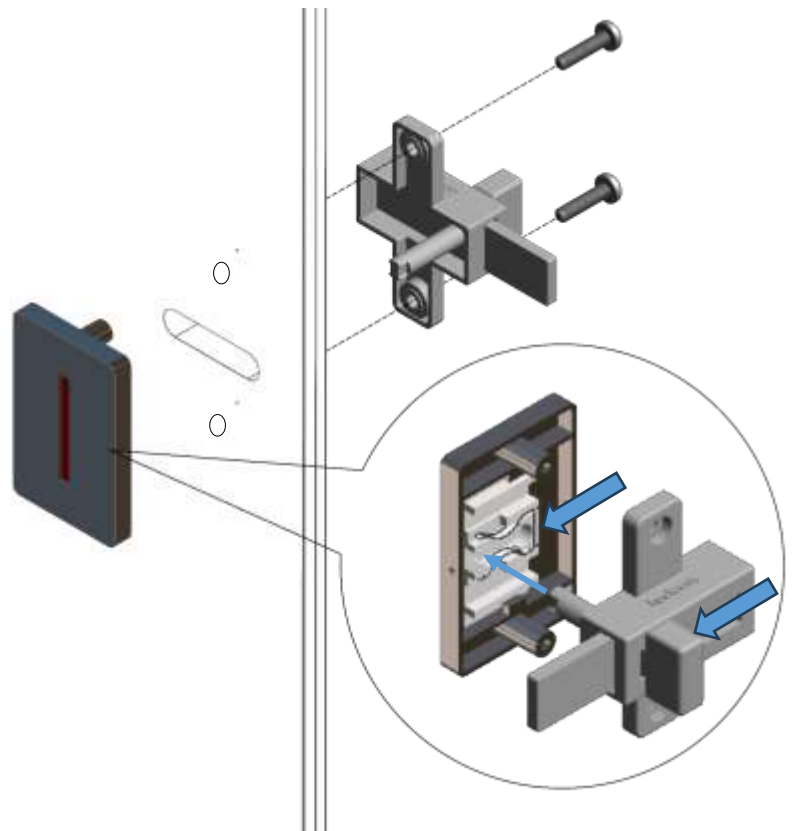


STEP 6: Latch Installation

Set the red/green latch plate to the red position. Set slide latch to the closed position. Line up the latch pin to the round part of the oblong and fasten with screws provided.



Insert a pin or Allen key 5/64" in diameter or smaller to push open the latch.



Installation Manual for Phenolic Toilet Partitions

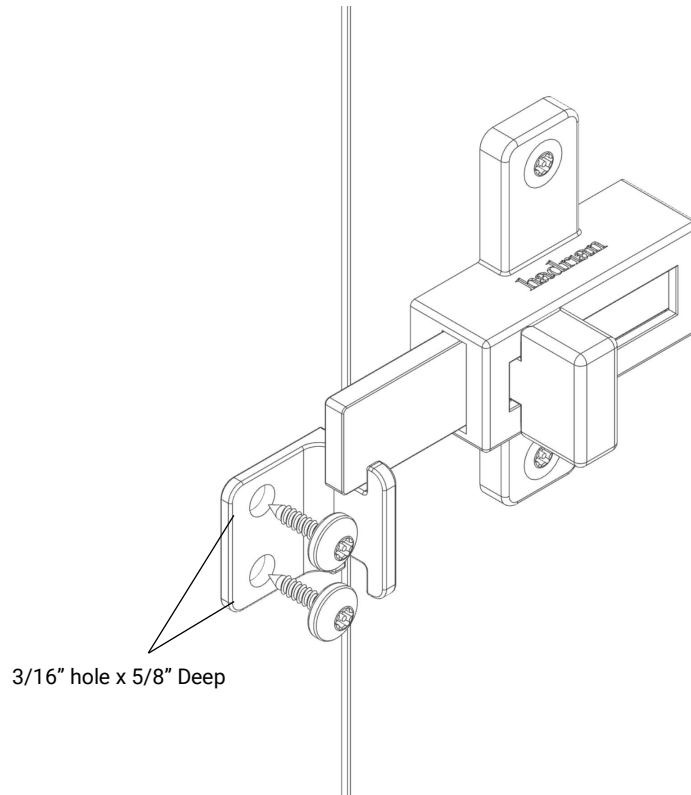
STEP 6.1: Latch Installation

Set latch to the closed position. Position latch keeper 3/8" (10mm) from the top of the latch to allow for **Emergency Access** by door lift. Pre-drill 3/16" x 5/8" deep holes and fasten latch keeper to pilaster.

670051 – Screw #12 x 0.70" 6 Lobe S/S

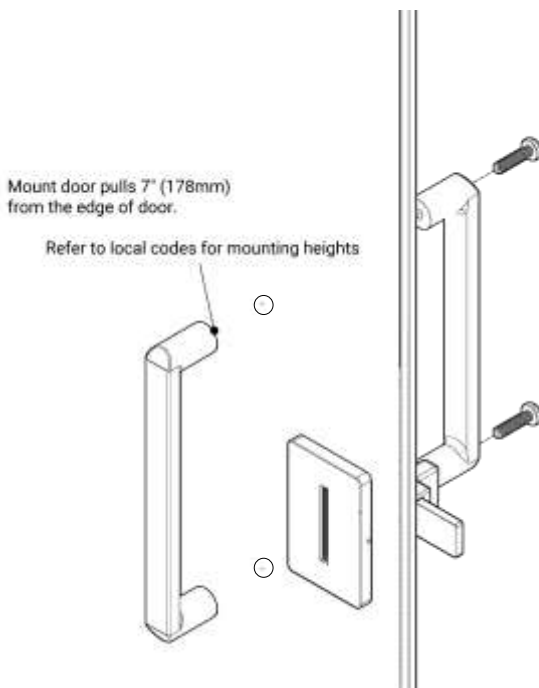
IMPORTANT NOTE:

Impact drivers are not to be used when installing phenolic partitions. Use a drill on low-speed set on full torque.



STEP 7: Door Pull Installation

Install the door pulls. Mark hole centers, drill 7/32" hole and fasten. For outswing and accessible doors only.



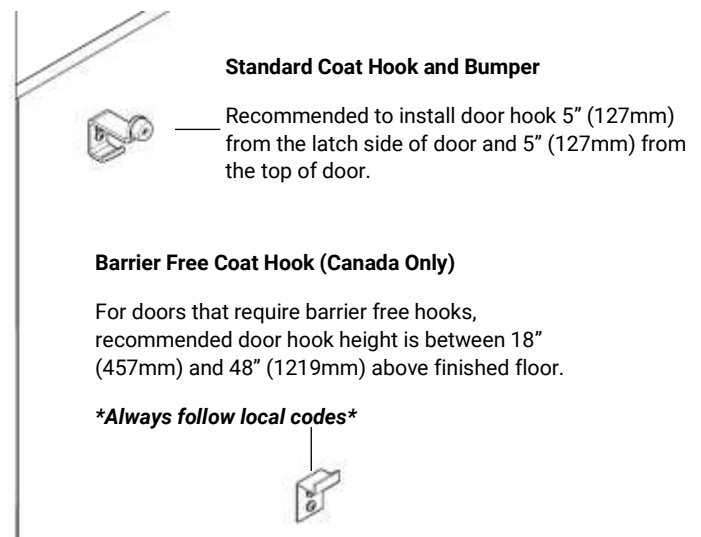
STEP 8: Coat Hook Installation

Install coat hooks as shown below. Pre-drill 3/16" x 1/2" deep holes and fasten.

670051 – Screw #12 x 0.70" 6 Lobe S/S

IMPORTANT NOTE:

Impact drivers are not to be used when installing phenolic partitions. Use a drill on low-speed set on full torque.

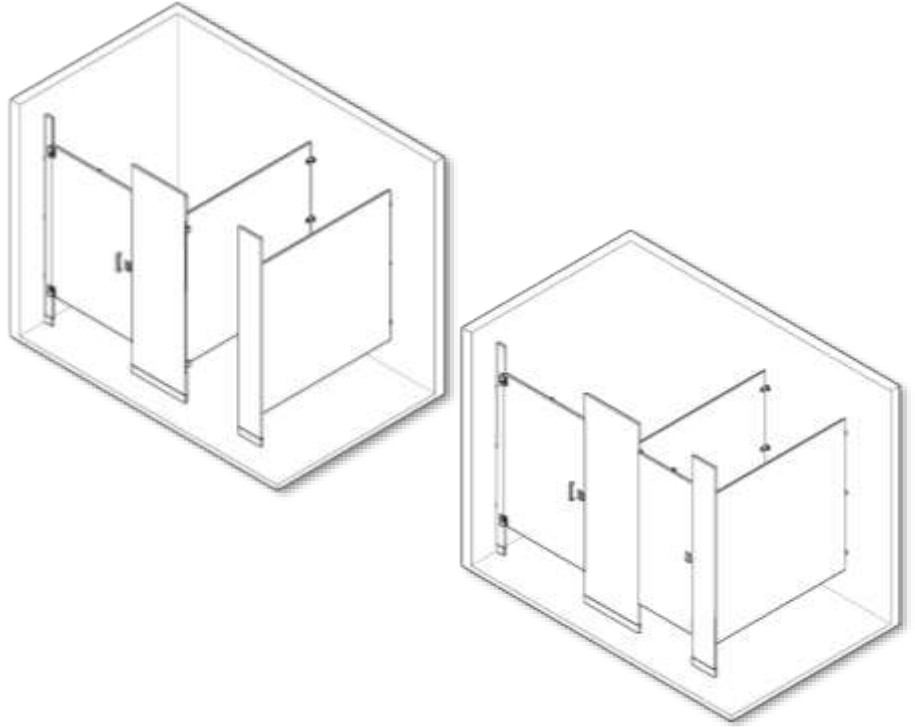


Installation Manual for Phenolic Toilet Partitions

STEP 9: Erect Remaining Compartments

Ensure all pilasters are fastened to shoe, add all remaining fasteners, and repeat steps 3-8 (as necessary) for all remaining compartments.

Note: Hadrian recommends installing one compartment (including door) at a time.

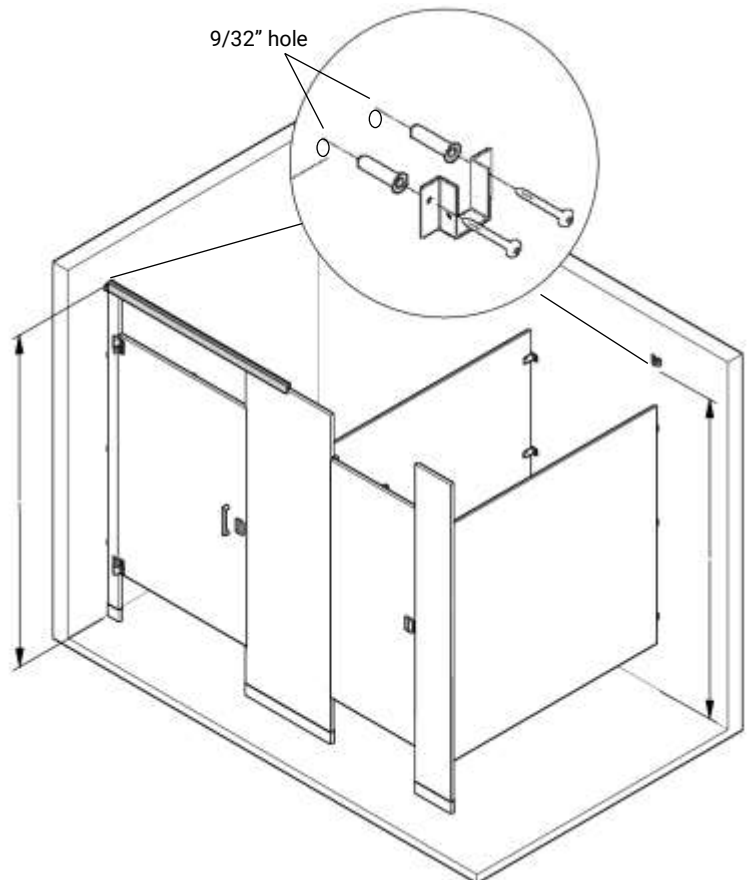


STEP 10: Secure Headrail Brackets

Place the headrail on top of pilasters and mark the bottom of the headrail for headrail bracket location. Drill holes for anchors and fasten headrail bracket to wall.

620054 - 14 x2-1/2" Screw Pan SS TR27

620053 - SP Plastic Anchor #14-16



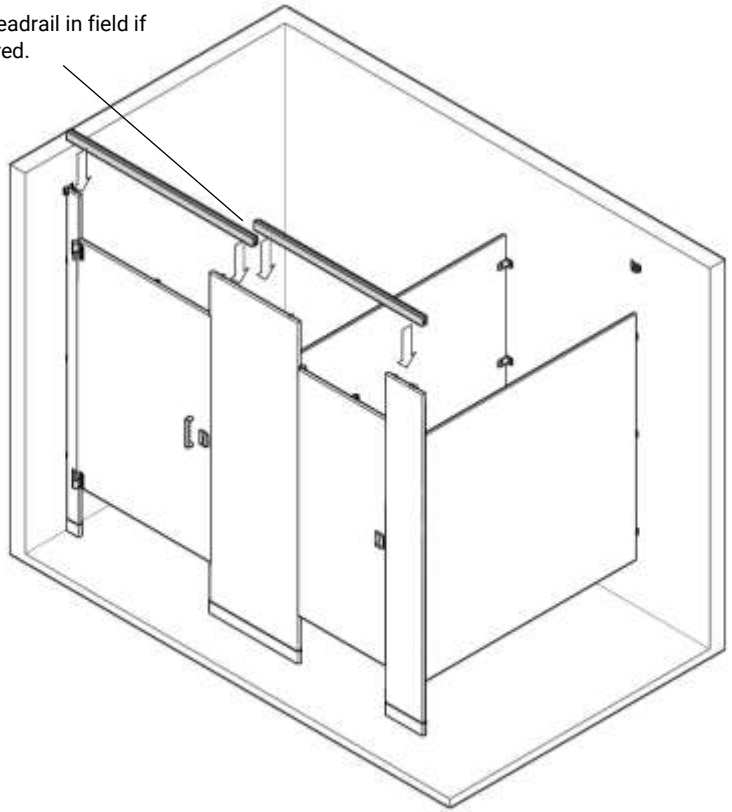
Installation Manual for Phenolic Toilet Partitions

STEP 11: Place Headrail

Place headrail on top of pilasters.

Due to the width of some configurations, two or more pieces of headrail may be required. Splice sections of Headrail on top of pilaster.

Cut headrail in field if required.



STEP 11.1: Place Headrail

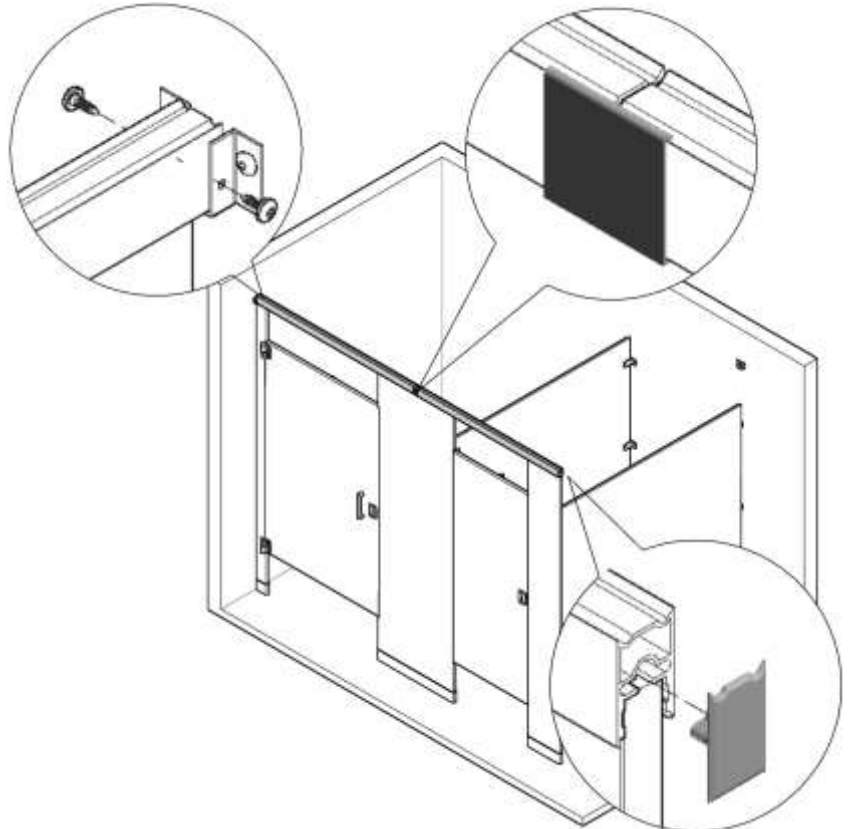
Fasten Headrail to the headrail wall brackets. Install Headrail end cap if required.

Adjust levelling devices to level all compartment components and tighten.

670050 - Screw #12 x 7/16" 6 Lobe S/S

IMPORTANT NOTE:

Impact drivers are not to be used when installing phenolic partitions. Use a drill on low-speed set on full torque.



Installation Manual for Phenolic Toilet Partitions

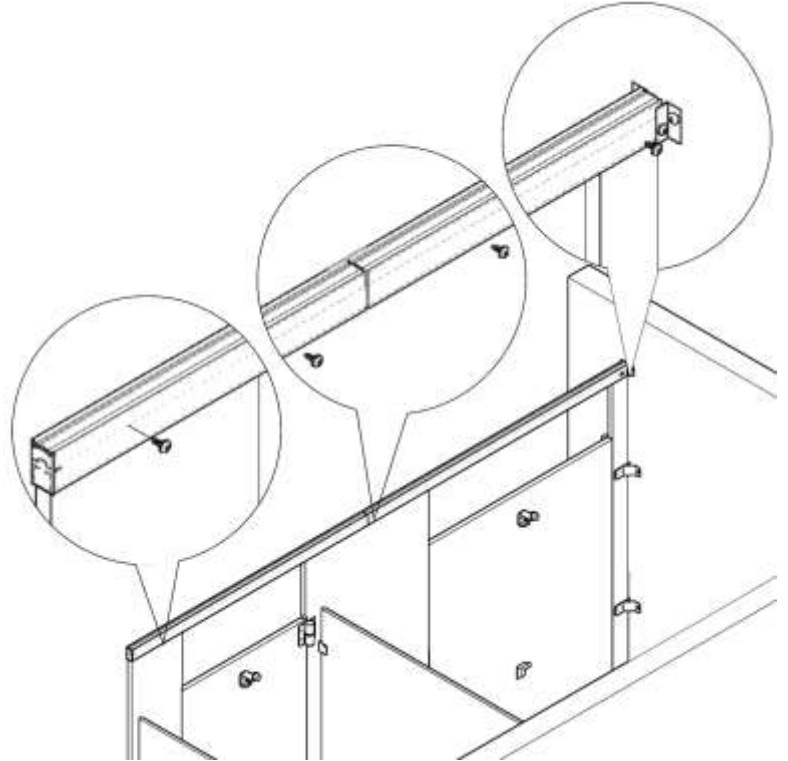
STEP 11.2: Place Headrail

Fasten headrail to pilasters. Use one screw for pilasters under 8" wide and two screws for pilasters over 8" wide. Fasten screws on interior of partitions only.

670050 - Screw #12 x 7/16" 6 Lobe S/S

IMPORTANT NOTE:

Impact drivers are not to be used when installing phenolic partitions. Use a drill on low-speed set on full torque.



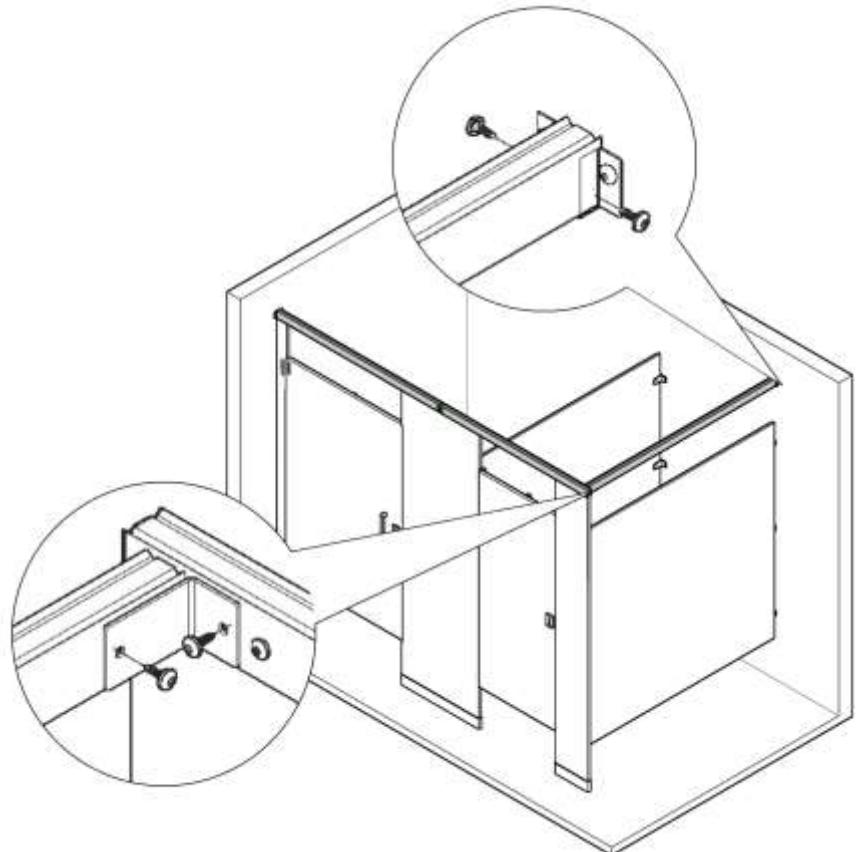
STEP 12.3: Place Headrail

Install return headrail. Place headrail into headrail bracket, level headrail and fasten to front headrail with L bracket as shown.

670050 - Screw #12 x 7/16" 6 Lobe S/S

IMPORTANT NOTE:

Impact drivers are not to be used when installing phenolic partitions. Use a drill on low-speed set on full torque.



Installation Manual for Phenolic Toilet Partitions

Appendix A - Alcove Unit

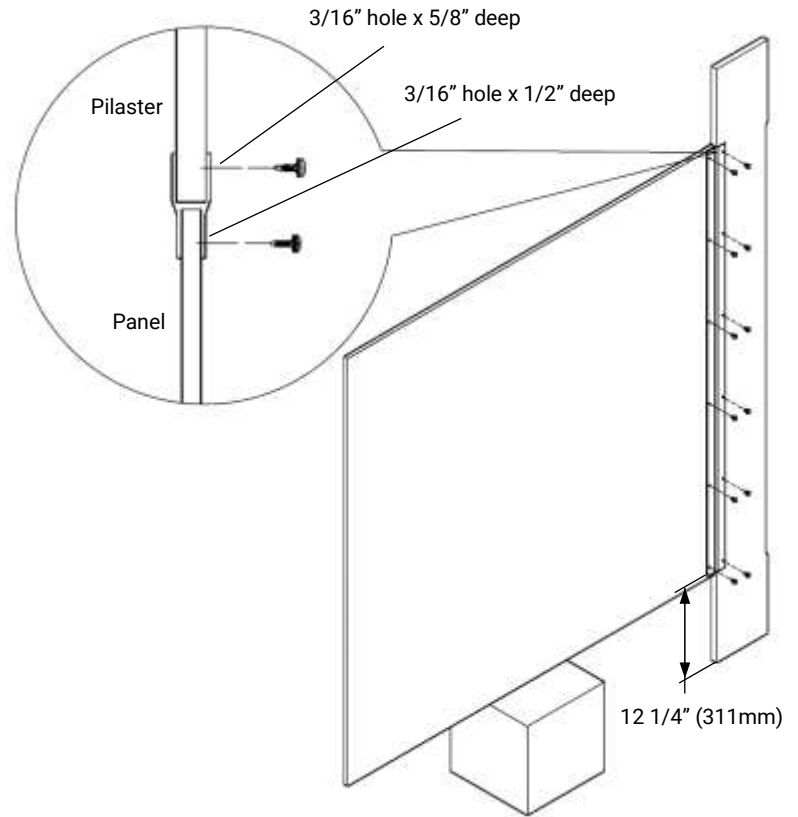
Fasten alcove channel to pilaster. Rest panel on 305mm (12") block and position in. Pre-drill 3/16" x 1/2" holes. Keep the panel on stabilizer block until panel and pilaster are fastened and stable.

670050 - Screw #12 x 7/16" 6 Lobe S/S (for Panel)

670051 - Screw #12 x 0.70" 6 Lobe S/S (for Pilaster)

IMPORTANT NOTE:

Impact drivers are not to be used when installing phenolic partitions. Use a drill on low-speed set on full torque.



Appendix B - Continuous Channel

Establish the unit depth centerline by taking the overall compartment dimension and deducting 3/8" (10mm).

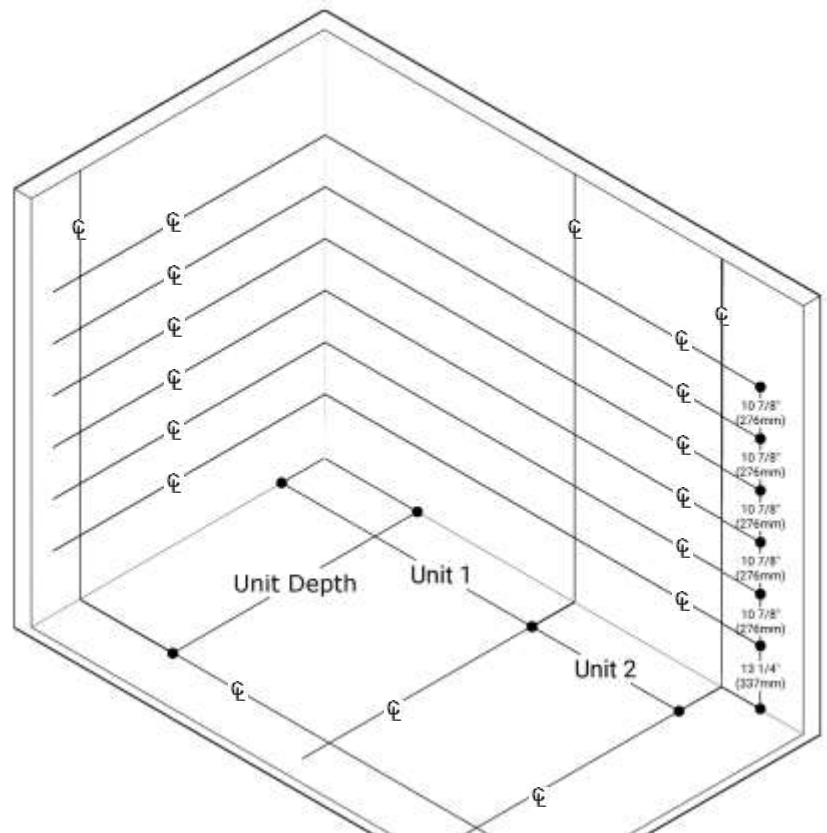
Mark panel center (plumb) lines for each unit.

Mark each channel center line.

Use final layout drawings and elevations to determine locations.

See page 22 for Elite Plus mounting instructions.

See page 23 for Elite Max mounting instructions.



Installation Manual for Phenolic Toilet Partitions

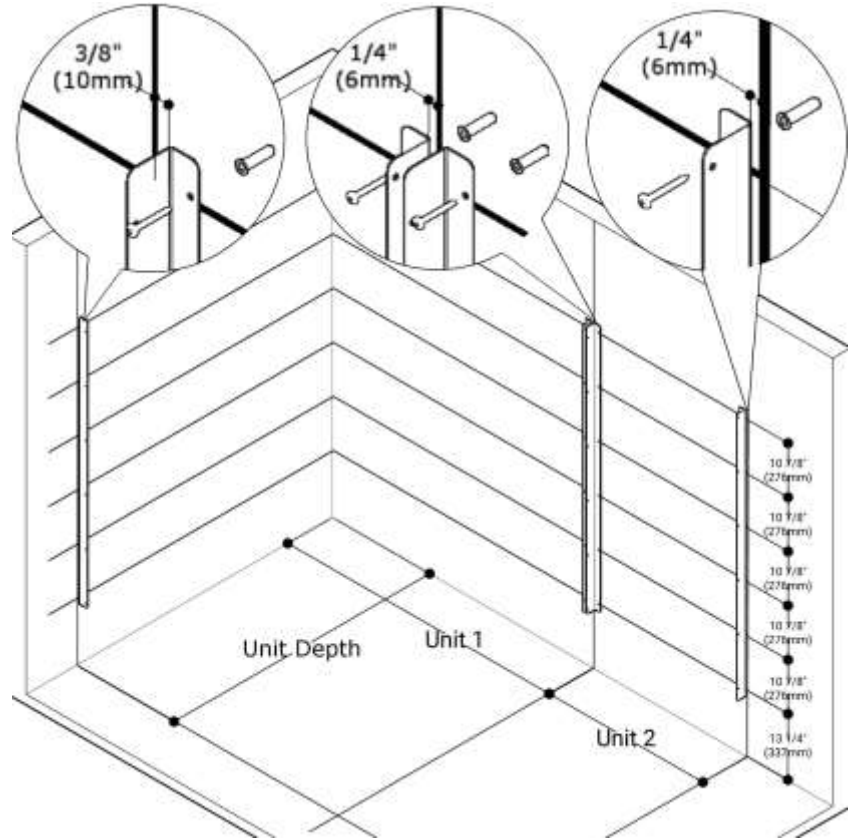
Appendix B.1 - Continuous Channel Option

Establish the unit depth centerline by taking the overall compartment dimension and deducting 3/8" (10mm).

Mark panel center (plumb) lines for each unit.

Mark each channel center line.

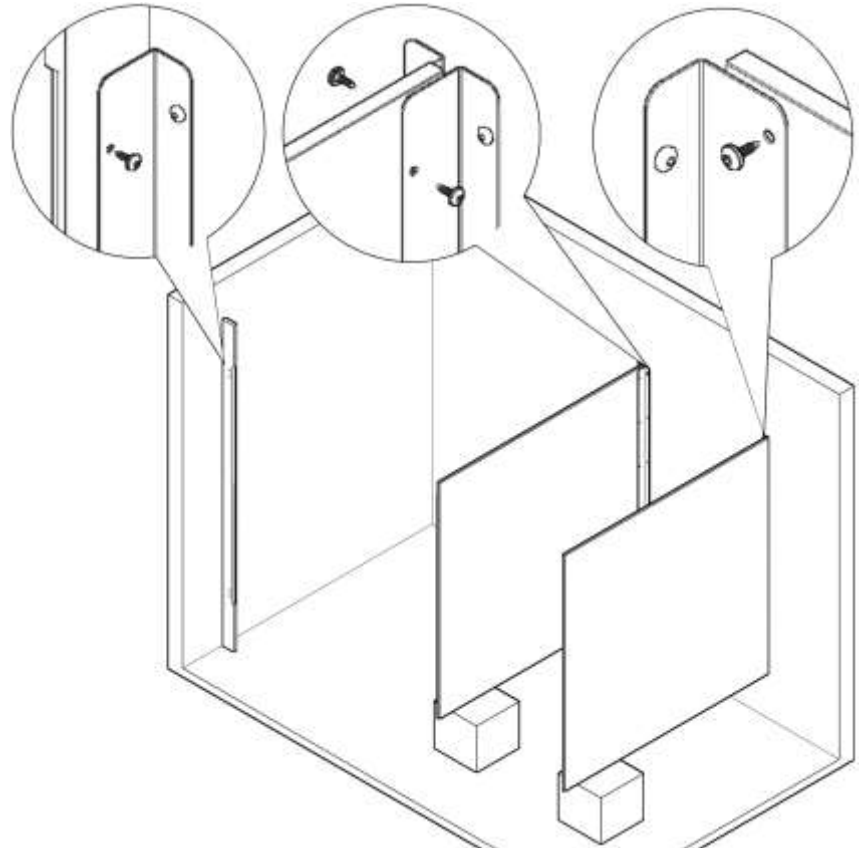
Use final layout drawings and elevations to determine locations.



Appendix B.2 - Continuous Channel Option

Fasten wall channels to wall. The bottom of the channel should be 314mm (12-3/8) from the floor.

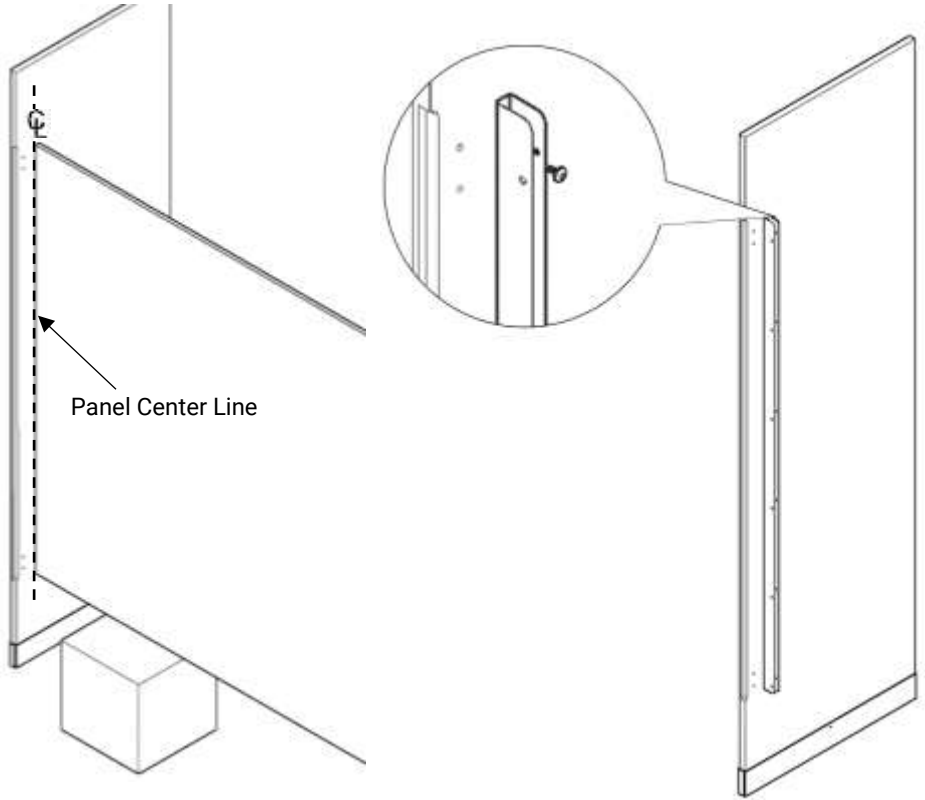
Note: Continuous channels are pre-drilled.



Installation Manual for Phenolic Toilet Partitions

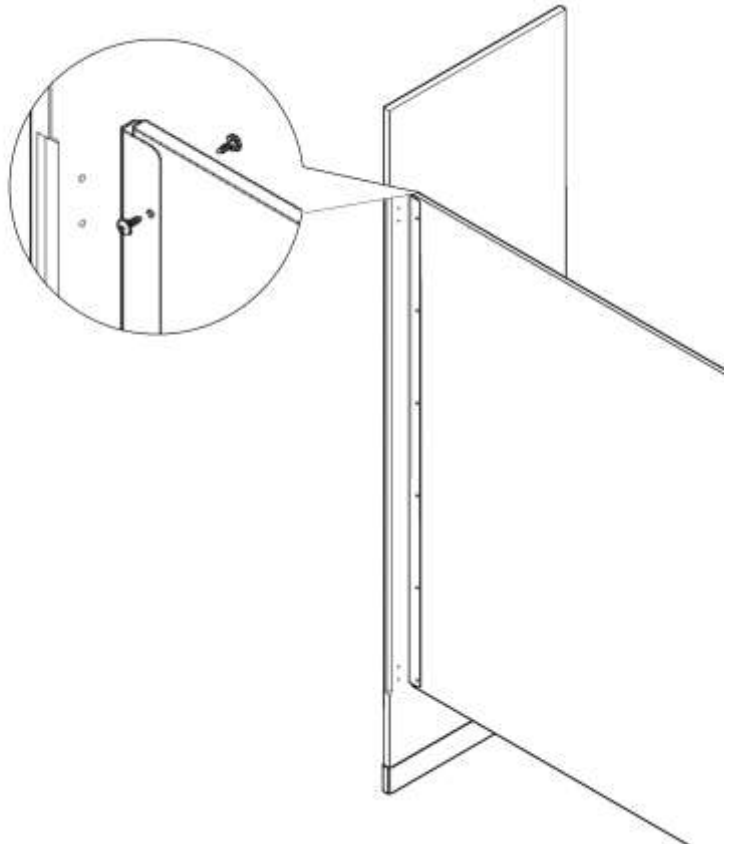
Appendix B.3 - Continuous Channel Option

Fasten wall channels to wall pilaster and panel.



Appendix B.4 - Continuous Channel Option

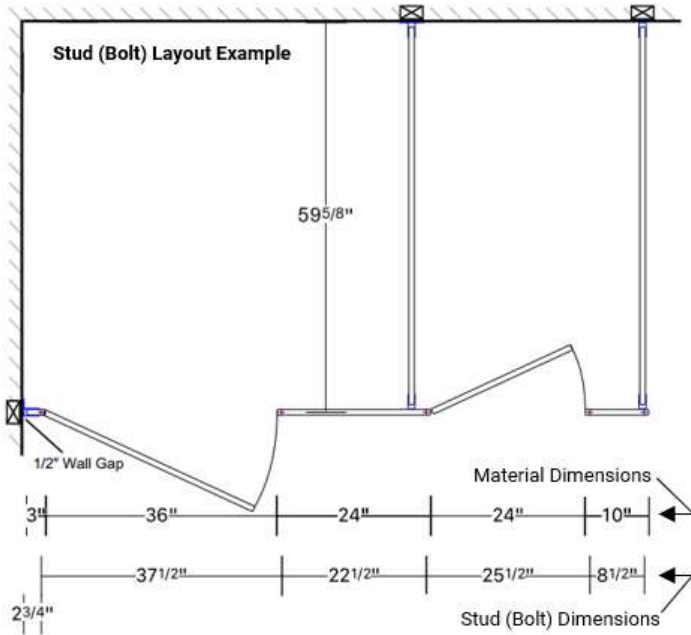
Place pilaster on floor brackets and mark centerline of panel on the back. Mark channel centers starting at 314mm (12-3/8") from finished floor. Using the channel as a template, mark and drill holes.



Installation Manual for Phenolic Toilet Partitions

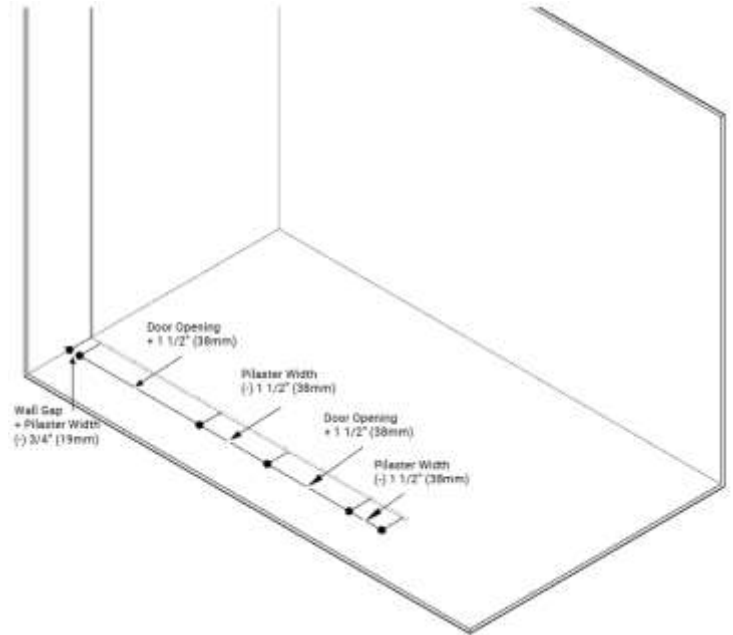
Appendix D - Floor Mounted Pilasters

Establish front centerline by taking the overall compartment dimension and deducting 16mm (5/8"). Use final layout drawings to determine locations.



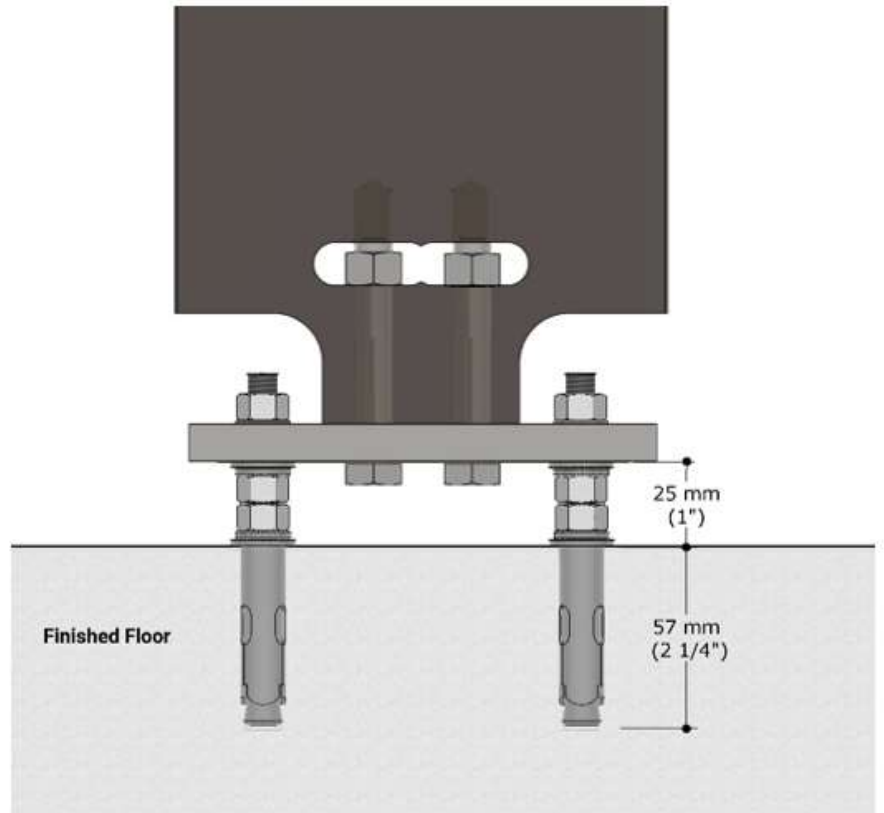
Appendix D.1 - Floor Mounted Pilasters

Drill 57mm (2 1/4") deep holes for floor studs and position 25mm (1") in from edge of pilaster locations as indicated on layout drawings.



Appendix D.2 - Floor Mount Pilasters – Erect Pilaster

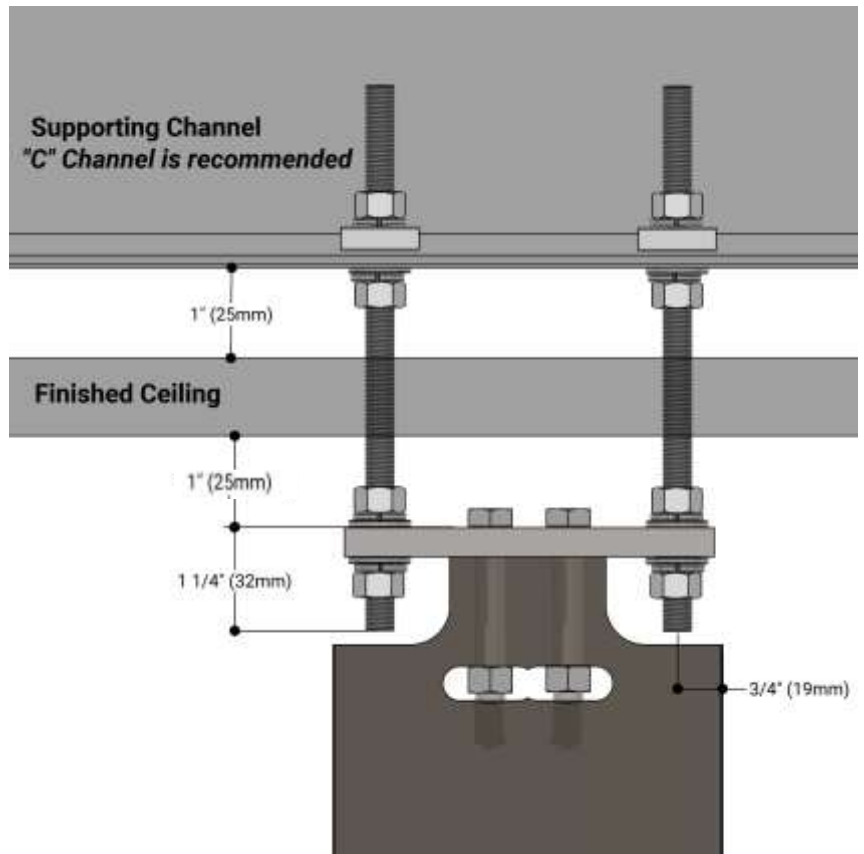
Position pilaster on floor studs 25mm (1") above finished floor, plumb and tighten.



Installation Manual for Phenolic Toilet Partitions

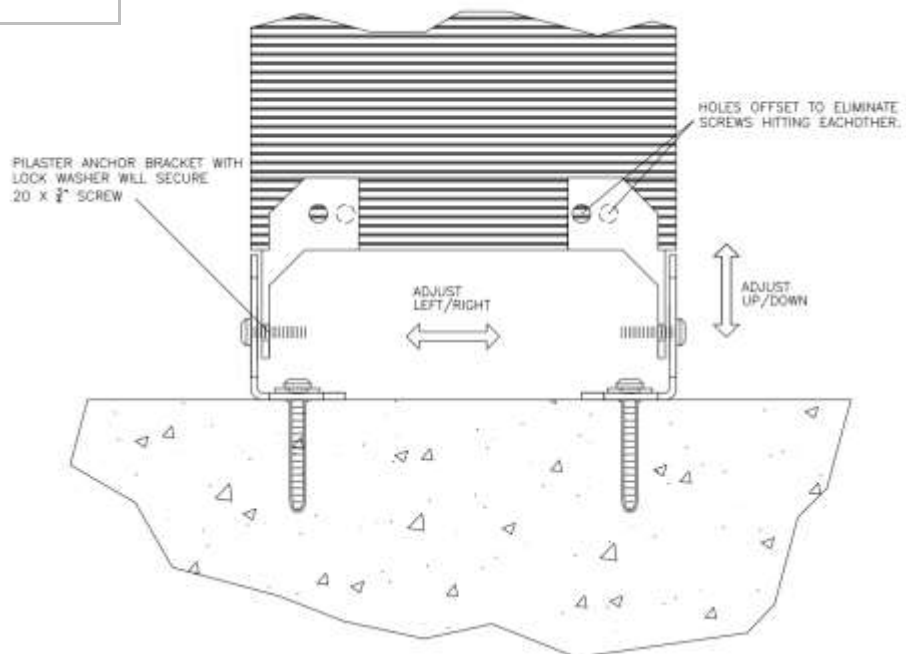
Appendix E - Floor to Ceiling Pilaster Ceiling Connection

Follow Appendix C – C.3 for ceiling connection instructions.



Appendix E.1 - Floor to Ceiling Pilaster Floor Connection

Install pilasters to ceiling first, level and fasten to the floor with sleeve shoe kit, as shown in the detail.



Installation Manual for Phenolic Toilet Partitions

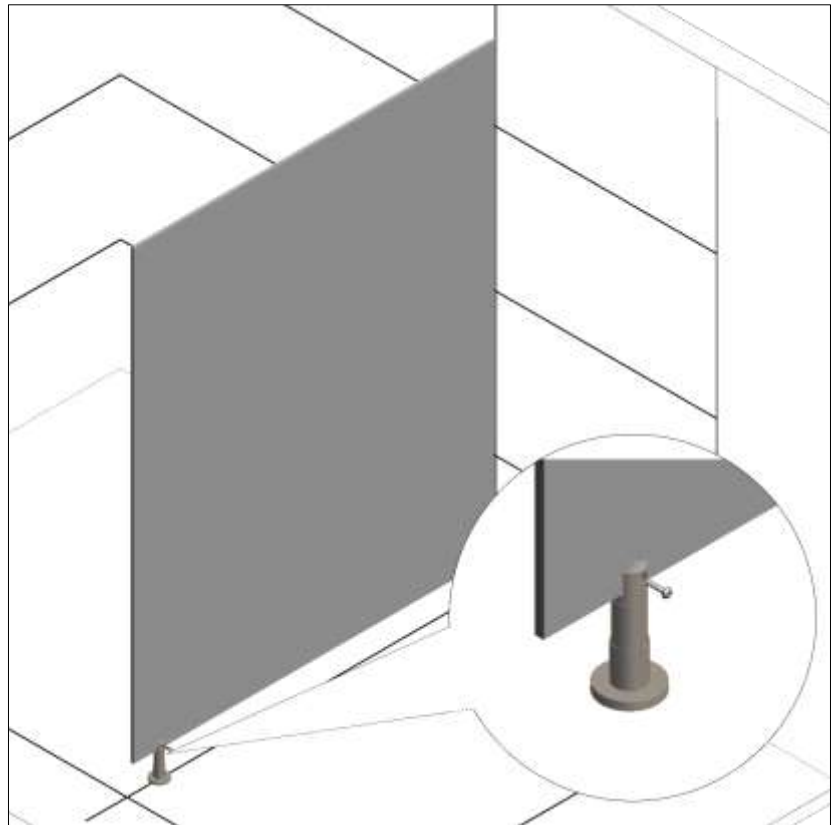
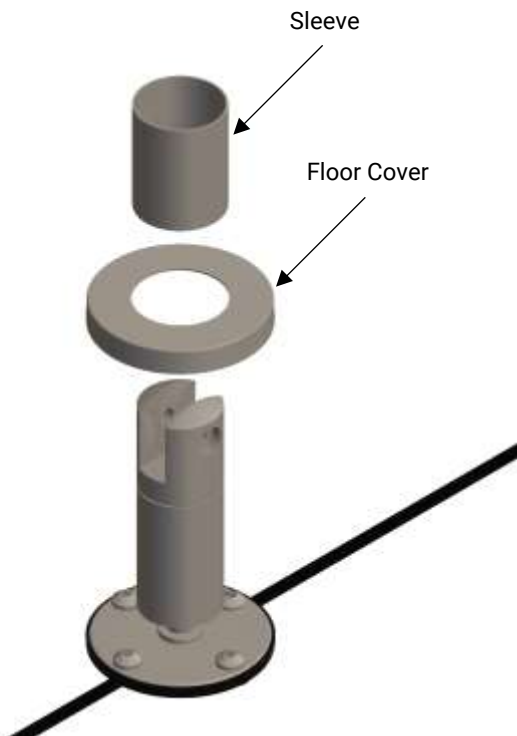
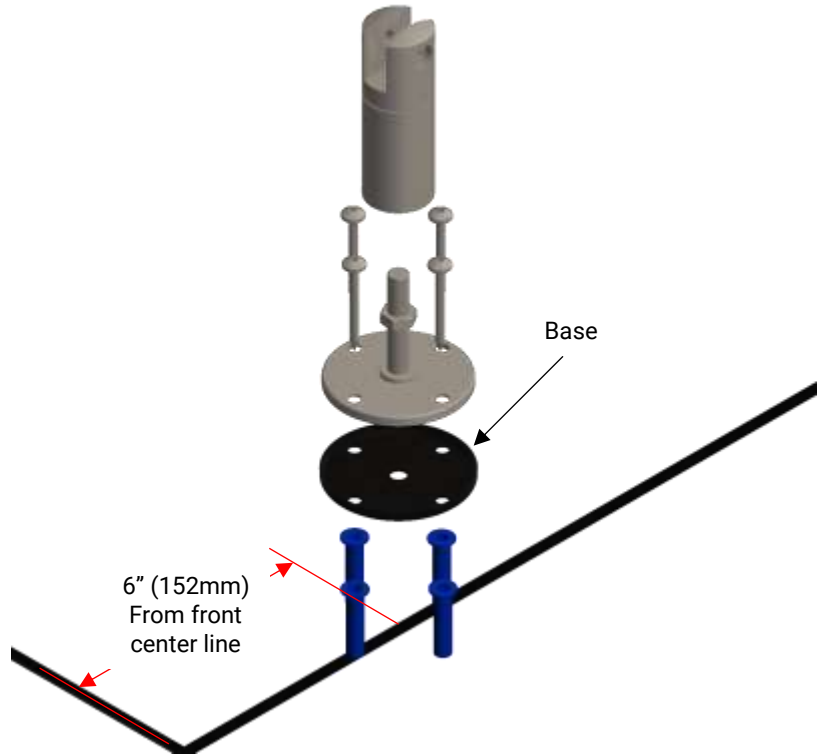
Appendix F – Pedestal Mount

Pedestals to be installed 6" (152mm) from front center line. Use the black pedestal base to mark holes and pre-drill 4 9/32" x 1 3/4" deep holes. Insert floor anchors and fasten the pedestal to the floor.

Adjust pedestal height to the as needed and tighten hex bolt.

Install floor cover and pedestal sleeve.

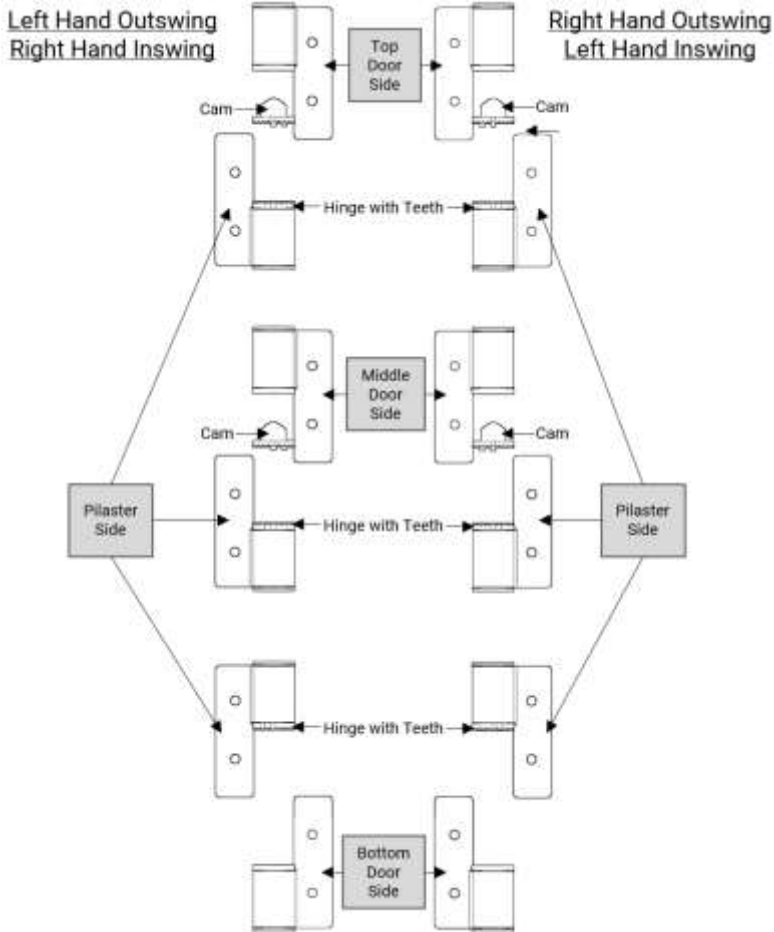
Place panel on pedestal and fasten with through bolts.



Installation Manual for Phenolic Toilet Partitions

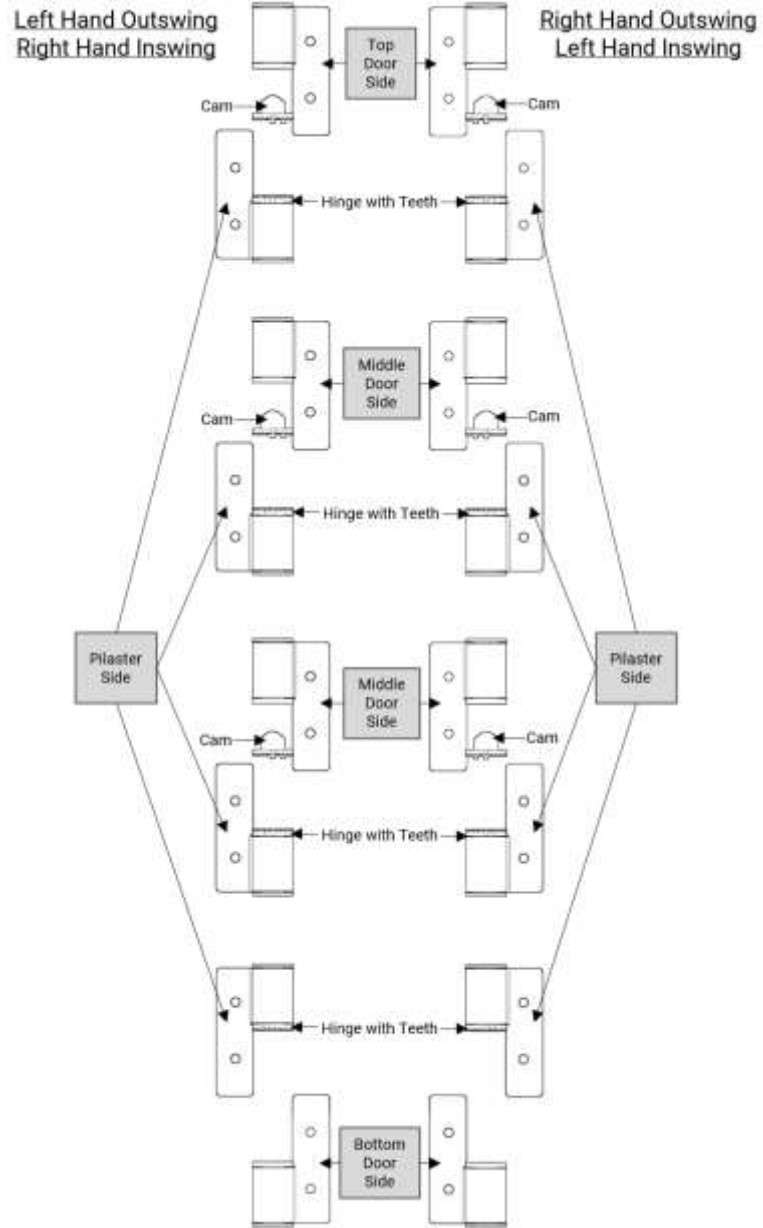
Appendix G – Elite Plus Hinge Setup

Separate the hinge leaves and set up hinge assemblies according to the hinge diagram. Fasten the pilaster side hinges to the pilaster, using the predrilled hinge holes.



Appendix G.1 – Elite Max Hinge Setup

Separate the hinge leaves and set up hinge assemblies according to the hinge diagram. Fasten the pilaster side hinges to the pilaster, using the predrilled hinge holes.



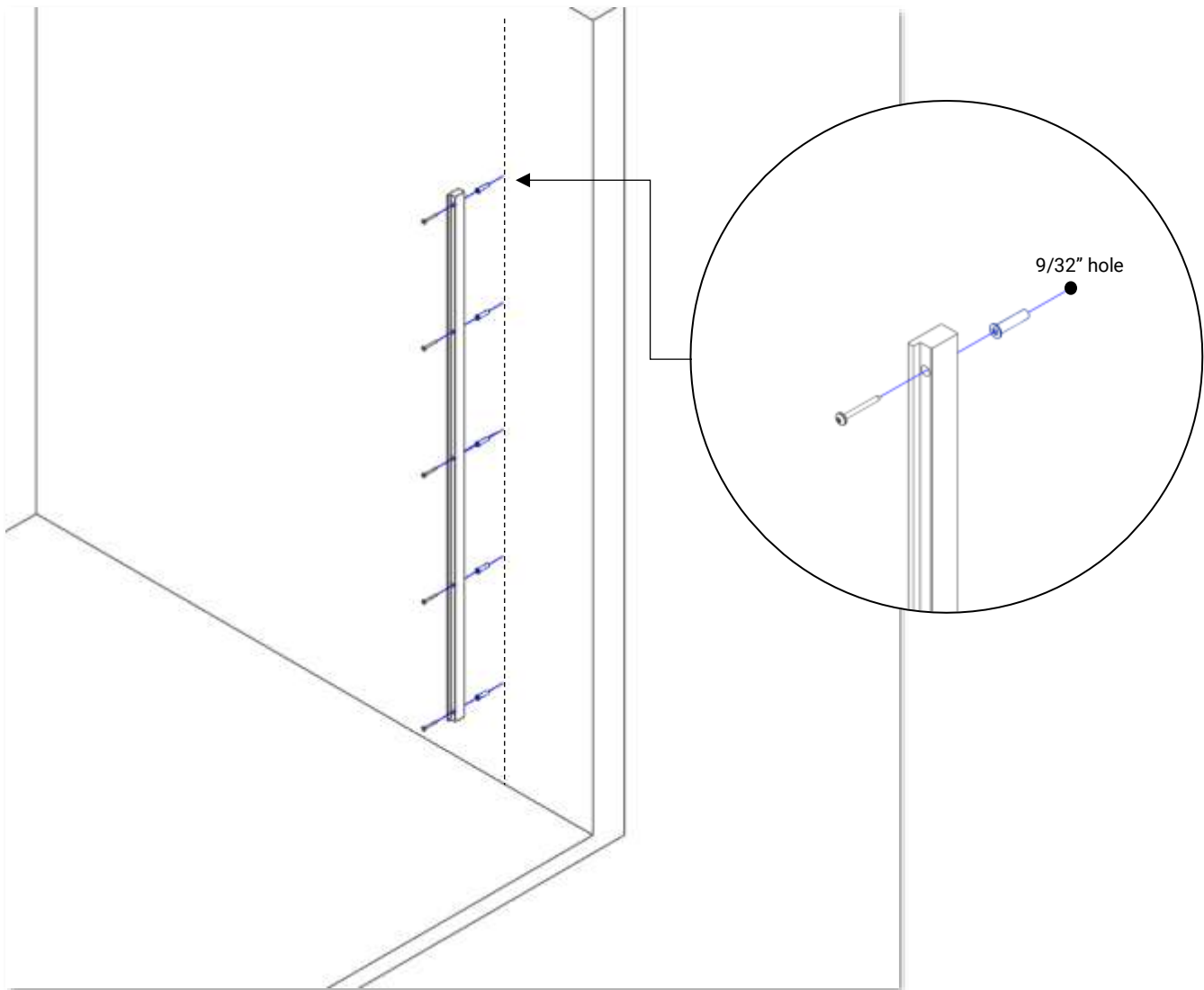
Installation Manual for Phenolic Toilet Partitions

Appendix H –Wall Mount Pilaster

1.5" Wall mounted pilaster is to be mounted at the same AFF height as the door. Place the wall mount pilaster to the wall, use the pre-drilled holes to mark where the wall anchors are to be installed. Drill 9/32" holes for the anchors, install anchors and fasten the wall mount pilaster to the wall.

620054 - 14 x2-1/2" Screw Pan SS TR27

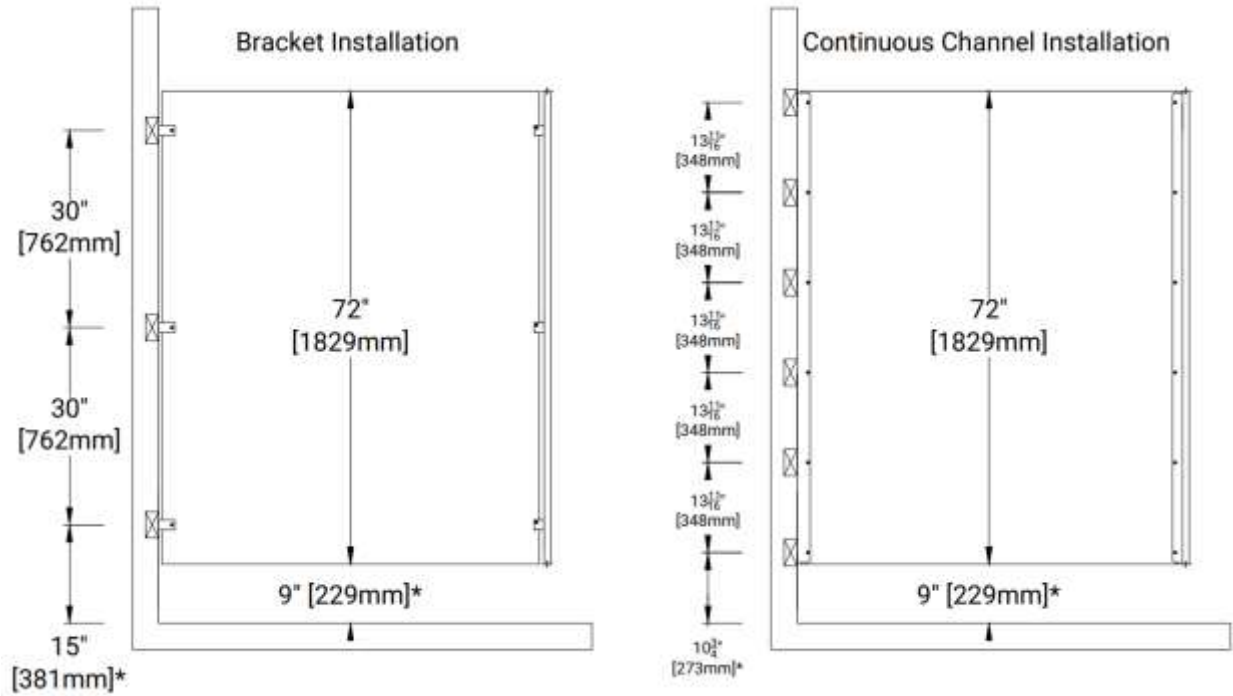
620053 - SP Plastic Anchor #14-16



Installation Manual for Phenolic Toilet Partitions

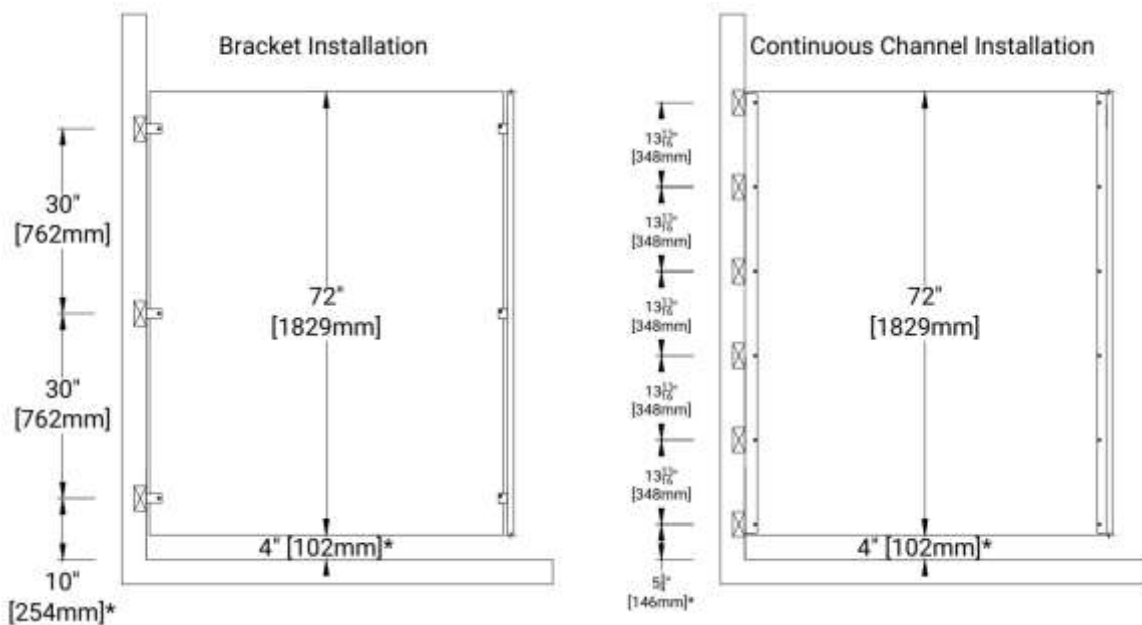
Appendix I – Elite Plus 9" AFF Bracket and Channel Mounting

Typical blocking locations for Elite Plus 9" AFF partitions. Always review provided elevation drawings for each room.



Appendix I.1 – Elite Plus 4" AFF Bracket and Channel Mounting

Typical blocking locations for Elite Plus 4" AFF partitions. Always review provided elevation drawings for each room.

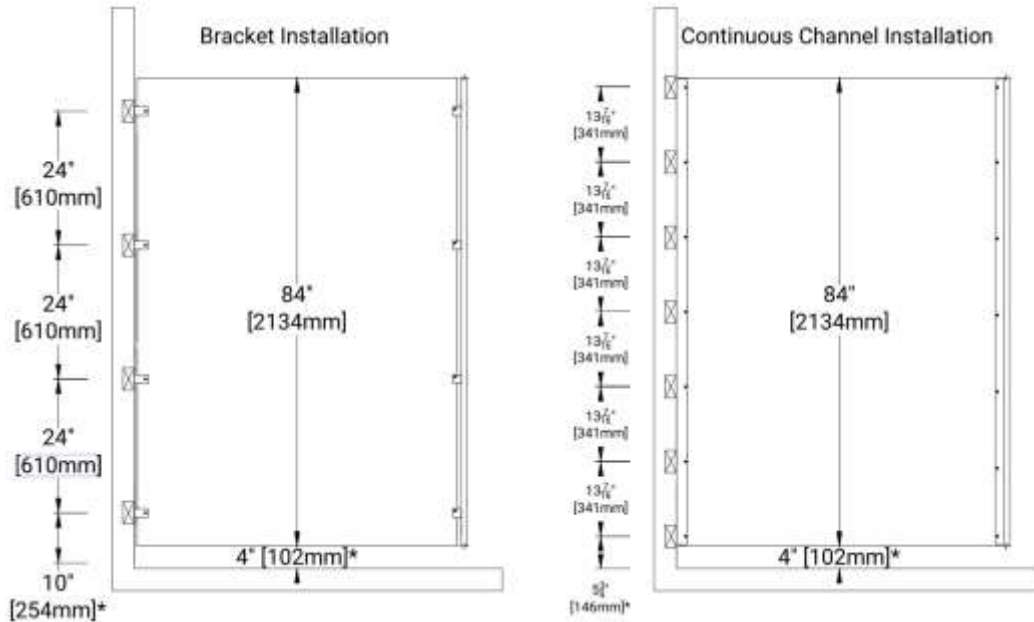


Note: Floor to ceiling pilasters to be installed with an AFF of 4 1/2" (114mm).

Installation Manual for Phenolic Toilet Partitions

Appendix J – Elite Max 84 4" AFF Bracket and Channel Mounting

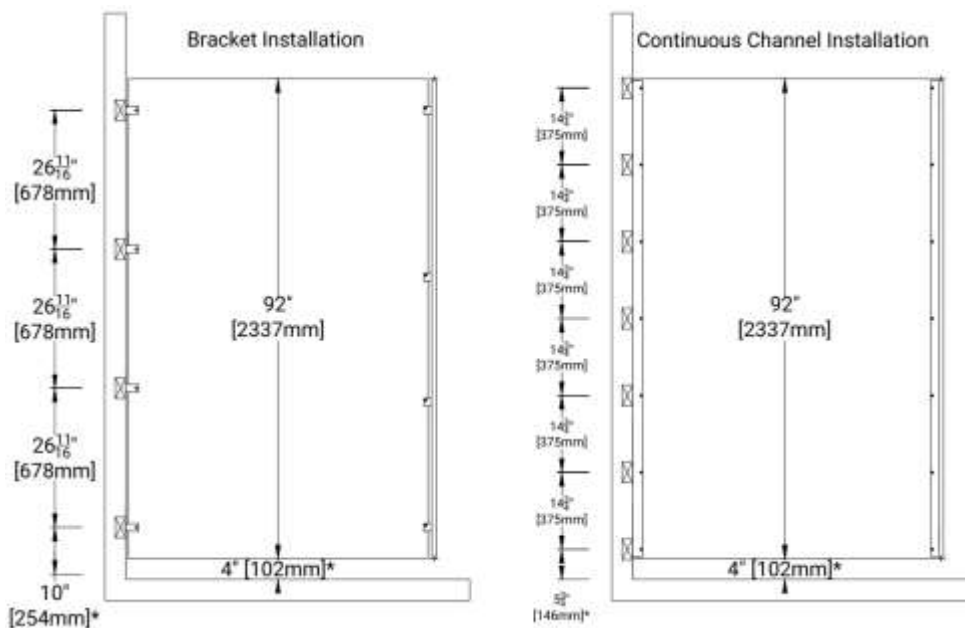
Typical blocking locations for Elite Max 84 4" AFF partitions. Always review provided elevation drawings for each room.



Note: Floor to ceiling pilasters to be installed with an AFF of 4 ½" (114mm).

Appendix J.1 – Elite Max 92 4" AFF Bracket and Channel Mounting

Typical blocking locations for Elite Max 92 4" AFF partitions. Always review provided elevation drawings for each room.



Note: Floor to ceiling pilasters to be installed with an AFF of 4 ½" (114mm).